

## DS-2CD4A24FWD-IZH

### 2 MP Smart IP Outdoor Bullet Camera

- 1/2.8" Progressive Scan CMOS
- Full HD1080p Video
- Up to 60 fps Frame Rate
- Slow Shutter
- 120 dB WDR
- 3D DNR
- Smart Heater
- 128 GB On-Board MicroSD Storage
- 12 VDC/PoE (802.3at)



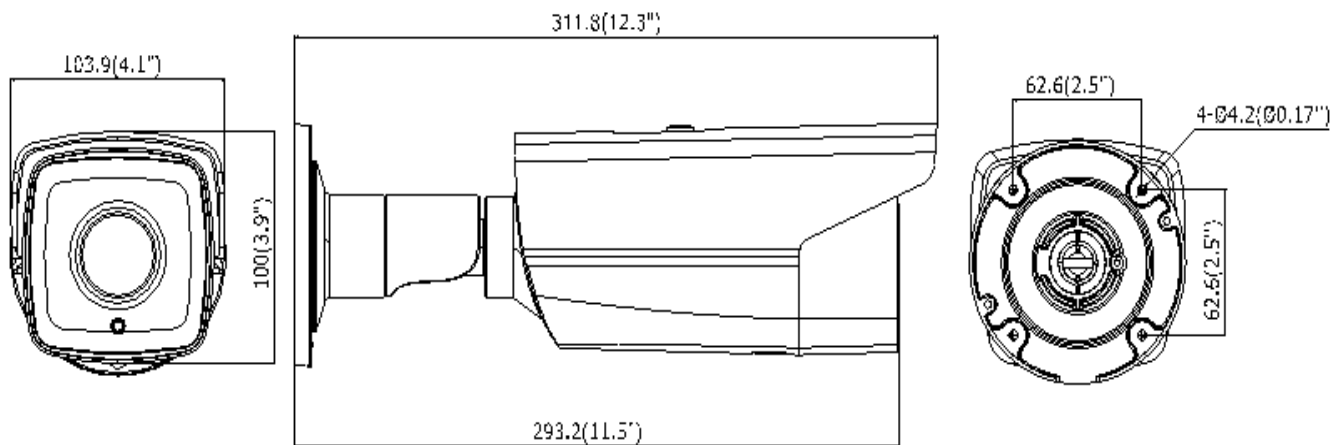
Hikvision's DS-2CD4A24FWD-IZH Smart IP camera is designed to capture high quality color images in low-light environments and supports full HD, high frame rate resolution up to 60 fps, 120 dB WDR, PoE, defogging, 3D DNR, and a complete Smart Feature set that meets a wide variety of applications.

Smart functions include Smart Detection (intrusion, line crossing, object left/removed, enter/leave area, scene

change, audio surge, audio loss, defocus, face, and object counting), Smart Codec (smart recording with dual VCA, low bitrate, low latency, ROI enhancement, multi-stream, rotate mode, and edge recording), and Smart Image Control that supports distortion correction.

**Available Model:** DS-2CD4A24FWD-IZH: IR, zoom, and heater

## Dimensions



DS-2CD4A24FWD-IZH	
<b>Camera</b>	
Image Sensor	1/2.8" progressive scan CMOS
Minimum Illumination	0.007 lux @ (f/1.4, AGC on), 0 lux with IR
Shutter Speed	1/3 s to 1/100,000s
Slow Shutter	Supported
Lens Mount	AF automatic focusing and motorized zoom lens
Lens	4.7 mm to 94 mm @ f/1.4, viewing angle: 53.8° to 3.1°
Auto-Iris	DC drive
Day/Night	IR cut filter with auto switch
WDR	120 db
<b>Compression Standard</b>	
Video Compression	H.264+/H.264/MJPEG/MPEG4
H.264 Type	Baseline Profile/Main Profile/High Profile
Video Bit Rate	32 Kbps to 16 Mbps
<b>Image</b>	
Maximum Resolution	1920 × 1080
Frame Rate	50 Hz: 50 fps (1920 × 1080)/(1280 × 960)/(1280 × 720) 60 Hz: 60 fps (1920 × 1080)/(1280 × 960)/(1280 × 720)
Third Stream	Independent with Main Stream and Sub Stream, up to 50 Hz: 1 fps (1920 × 1080); 60 Hz: 1 fps (1920 × 1080)
Image Enhancement	EIS/BLC/3D DNR/ROI/defogging
Image Setting	Rotate mode, saturation, brightness, contrast, sharpness adjustable by client software or Web browser
Distortion Correction	Supported
Regional Cropping	Supported
Day/Night Switch	Auto/schedule
Picture Overlay	Logo picture can be overlaid on video with 128 x 128 24-bit bmp format
<b>Network</b>	
Network Storage	NAS (supports NFS, SMB/CIFS), ANR
Alarm Triggers	Motion detection, tampering alarm, network disconnect, IP address conflict, storage exception
Protocols	TCP/IP, ICMP, HTTP, HTTPS, FTP, DHCP, DNS, DDNS, RTP, RTSP, RTCP, PPPoE, NTP, UPnP, SMTP, SNMP, IGMP, 802.1X, QoS, IPv6, Bonjour
Security	User authentication, watermark, IP address filtering, anonymous access
Standard	ONVIF (Profile S, Profile G), PSIA, CGI, ISAPI
<b>Interface</b>	
Communication Interface	1 RJ-45 10M/100M/1000M Ethernet port
On-Board Storage	Built in microSD/SDHC/SDXC slot, up to 128 GB
Reset Button	Yes
<b>Smart Features</b>	
Line Crossing Detection	Cross a pre-defined virtual line
Intrusion Detection	Enter and loiter in a pre-defined virtual region
Region Entrance	Enter a pre-defined virtual region
Region Exiting	Exit from a pre-defined virtual region
Unattended Baggage	Objects such as luggage, purses, or dangerous materials left in a pre-defined region
Object Removal	Objects such as exhibits on display removed from a pre-defined region
Exception Detections	Scene change, sudden audio increase/decrease, audio-loss, defocus
Recognition	Face detection recognition
Statistics	Object counting (entering and exiting objects are counted, with count shown on screen in real time)
<b>General</b>	
Protection Level	IP67
IR Range	394 ft (120 m)
Operating Conditions	-40° to 140° F (-40° to 60° C), Humidity 95% or less (non-condensing)
Power Supply	12 VDC ±10%, PoE (802.3at)
Power Consumption	DC: 10.8 W, PoE: 14 W
Dimensions	3.94" × 4.09" × 12.28" (100 mm × 103.9 mm × 311.8 mm)
Weight	4.41 lbs (2000 g)