

Compact Subwoofer

CSB-K SERIES

CSB-12K/15K/18K





Compact Subwoofer

CSB-K is especially strong in extremely high input access and extended low frequency response. It can play a wide range of low frequency and can be used for musical performance and numerous events' reinforcement of bass.

CSB-Series

Compact Subwoofer

High output driver provides dynamic response of high output even in super low bass with enclosure made with Northern Europe premium grade 15T birch. Integrated System of extended low range is on tap by attaching Pole-Cup on the upper part and pole stand on top of Full-range speaker of Inter-M.

Plus, it furnishes stability in long working hour as the front panel of enclosure is made with steal grill. There is a hand grill on each side of left/right side for better and more comfortable use when installing or moving. There are two speaker connectors installed on the rear panel to directly connect with other speakers.



High Quality Driver

CSB-K Series driver possesses the top class quality and high durability. It retains credibility by passing rigid 8-hour-test which is stricter than 2-hour-test of ordinary standard of foreign made speaker.



Solid Enclosure – VOID FREE

High-quality speaker depends on selection of wood and manufacturing method. CSQ-K Series uses Northern premium grade 15T birch plywood to avoid interior resonance due to empty space between the plywood. Enclosure made with rigidly selected wood and CNC precision processing maximizes durability and minimizes leakage of sound.

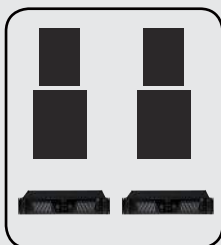
Enclosure Design with Sound Engineering

It is designed to play dynamic bass even in super-low range and minimizes interval of sound by Baffle attached to cover sound wave coming from the front and rear panel. Also, it produces powerful sound by using high-density sound-absorbing materials to block interior resonance and absorb unnecessary energy.

Suggested Applications

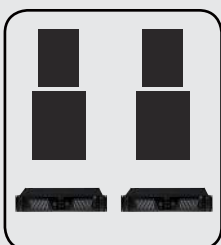
CSQ-8K X 2
CSB-15K X 2

V2-2000
V2-5000



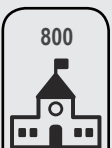
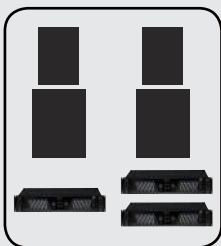
CSQ-10K X 2
CSB-15K X 2

V2-2000
V2-4000



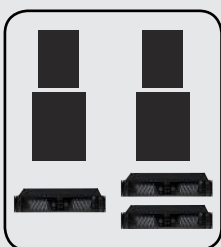
CSQ-12K X 2
CSB-18K X 2

V2-4000
V2-3000 x 2ea



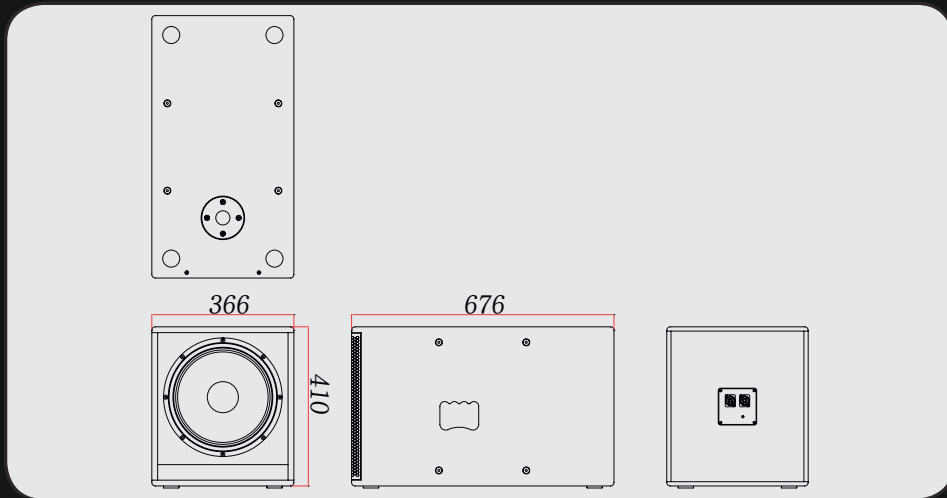
CSQ-15K X 2
CSB-18K X 2

V2-4000
V2-3000 x 2ea

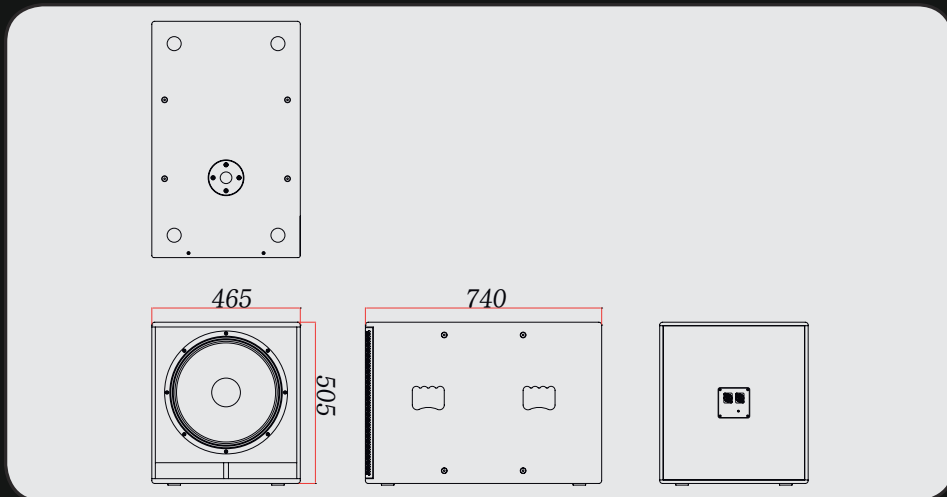


CSB-K Series Drawings

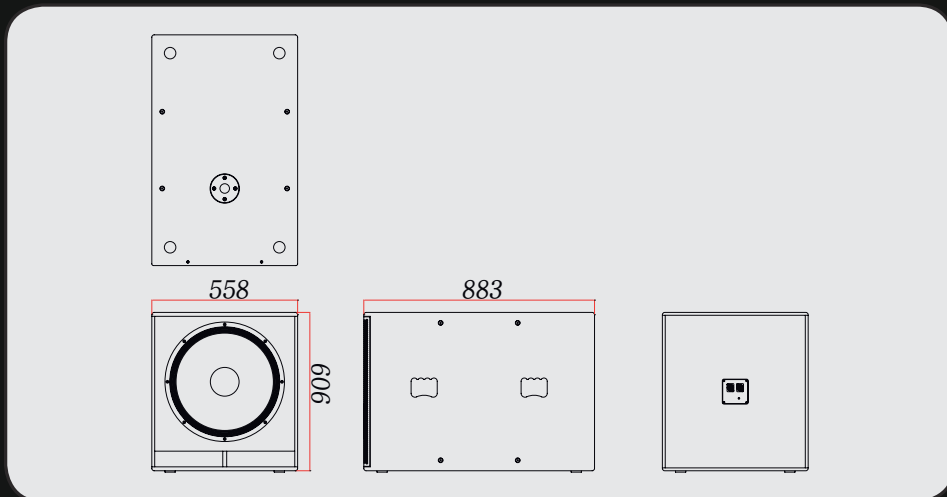
CSB-12K



CSB-15K



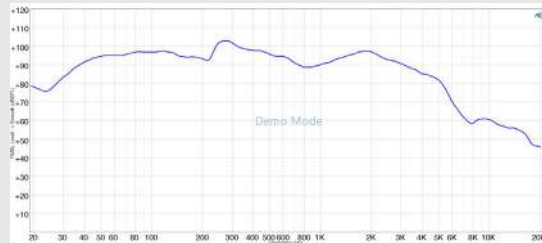
CSB-18K



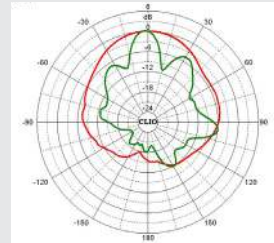
CSB-K Series Specifications

CSB-12K

Frequency Response

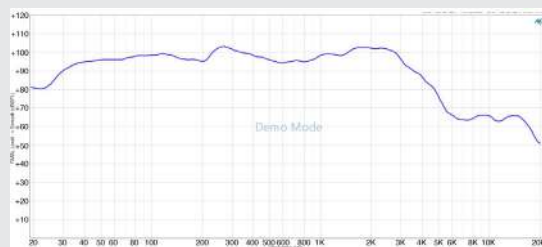


Polar pattern

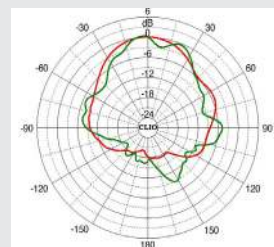


CSB-15K

Frequency Response



Polar pattern

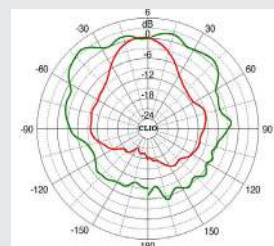


CSB-18K

Frequency Response



Polar pattern



CSB-K Series Specifications

Model	CSB-12K	CSB-15K	CSB-18K
Type	Subwoofer	Subwoofer	Subwoofer
Frequency Range ($\pm 3\text{dB}$)	44Hz ~ 1.3kHz	67Hz ~ 3kHz	29Hz ~ 2kHz
Frequency Response (-10dB)	33Hz ~ 3.8kHz	29Hz ~ 3.8kHz	22Hz ~ 3.1kHz
Rated Power (AES)	500W	600W	800W
Rated Power (Program)	1000W	1200W	1600W
Rated Power (Peak)	2000W	2400W	3200W
Recommended Amplifier Power	1000W	1200W	1600W
Sensitivity (1W/1m)	96dB	99dB	97dB
Maximum SPL (Peak)	129dB	133dB	132dB
Nominal Dispersion	OMNI	OMNI	OMNI
Nominal Impedance	8 Ω	8 Ω	8 Ω
LF Driver	12" Woofer 2.5" Voice coil	15" Woofer 3" Voice coil	18" Woofer 4" Voice coil
Enclosure Material	15T Birch Plywood, Polyurea Coating	15T Birch Plywood, Polyurea Coating	15T Birch Plywood, Polyurea Coating
Grille	SECC 1.5t, Powder Coating /BLACK	SECC 1.5t, Powder Coating /BLACK	SECC 1.5t, Powder Coating /BLACK
Connection	2 X SPEAKON(1+,1-) [Parallel]	2 X SPEAKON(1+,1-) [Parallel]	2 X SPEAKON(1+,1-) [Parallel]
Fittings/Suspension	Top mounted socket for optional pole	Top mounted socket for optional pole	Top mounted socket for optional pole
Finish	Polyurea Coating	Polyurea Coating	Polyurea Coating
Color	BLACK	BLACK	BLACK
Weights (Net)	22.5kg/49.6lb	32.7kg/72.1lb	44.3kg/97.7lb
Dimensions (Net, WxHxD)	366x410x676mm (14.4x16.5x26.6in)	465x505x740mm (18.3x19.9x29.1in)	558x606x883mm (21.9x23.8x34.7in)



Inter-M Corp. (IMK)

719, Dobong-ro, Dobong-gu, Seoul, Korea

Overseas Sales Team

Tel_ +82-2-2289-8141~7 Fax_ +82-2-2289-8149 E-mail_ overseas@inter-m.com

www.inter-m.com

※ Design and specification are subject to be changed for the improvement of product quality without pre notice.

2018. 08. V7