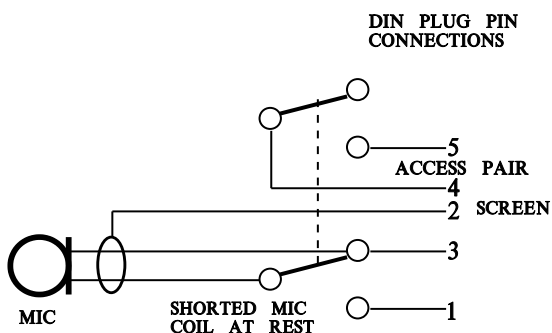


**MAJORCOM:****USER MANUAL  
MAGPL-D****I Functions**

- General call microphone.
- Open – circuit of the BF when cutted off.
- Supply of a dry contact (between 2 and 4) to remote control the preamplifier (chime, sound level recovery, area selection ,...)
- Call by pressure on the momentary action button

**II Connections**

According to the type of preamplifier used, use the DIN connection.  
Schema of the desktop microphone :

**III Technical Features**

- Type : dynamic unidirectional balance

## User Manual

**MAJORCOM:**

- Impedancy : 600  $\Omega$
- Sensitivity : -70dB
- Cable lenght : 3 m
- Weight : 1kg
- Frequency response : 80 Hz to 12000 Hz