

Program Distributor  
**PO-6106**



**MAJORCOM:**

# P0-6106

## Program Distributor



### OVERVIEW

- **EASY TO OPERATE**
  - Distributes a single channel input to six outputs.
- **EASY LEVEL ADJUSTMENT**
  - Front-panel input and output level adjustment.
- **INPUT MONITORING**
  - Input peak LED monitoring.

### FRONT AND REAR VIEW

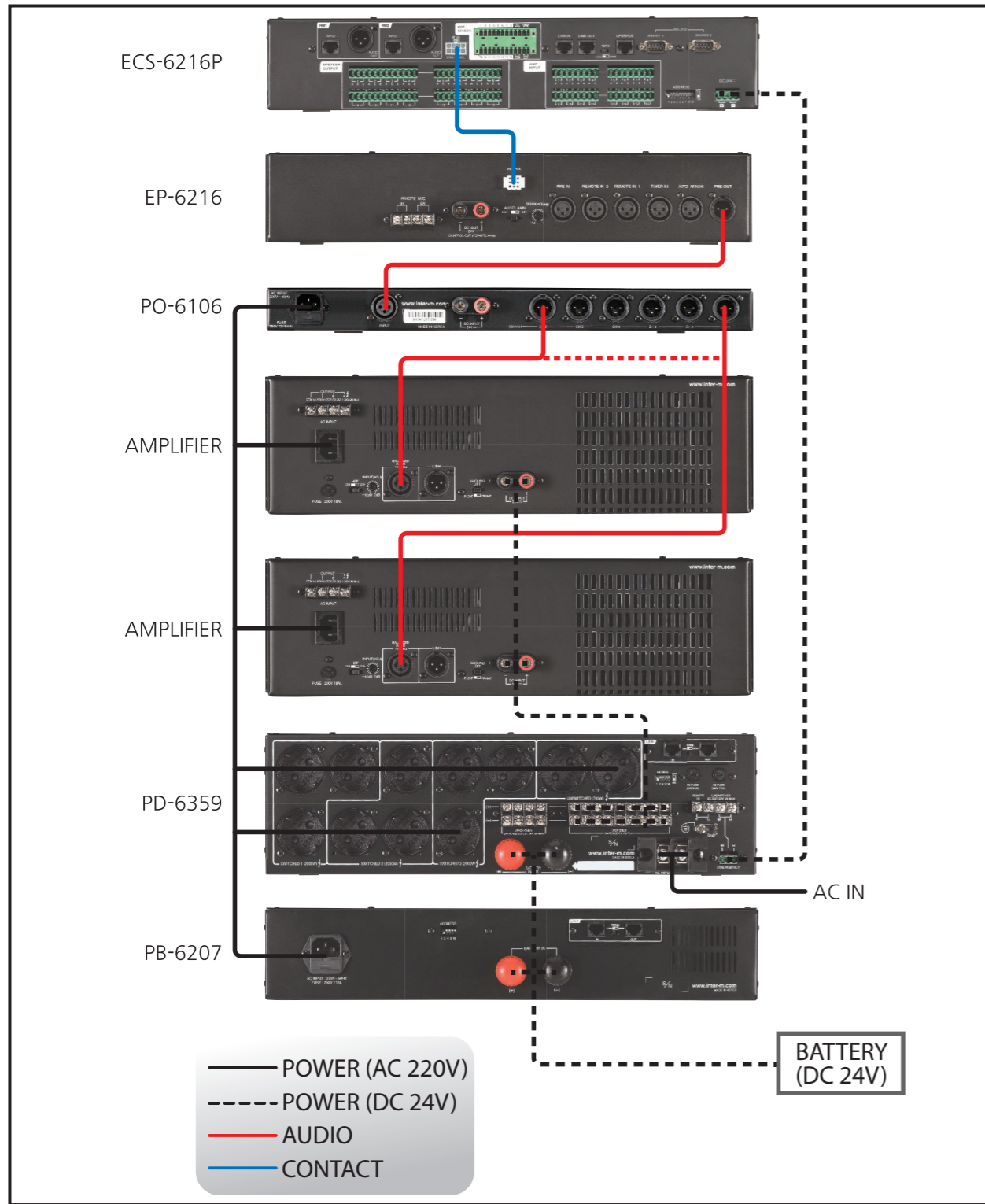


- 1 INPUT PEAK INDICATOR
- 2 OUTPUT INDICATORS
- 3 POWER INDICATOR
- 4 INPUT LEVEL CONTROL
- 5 OUTPUT LEVEL CONTROL
- 6 POWER SWITCH

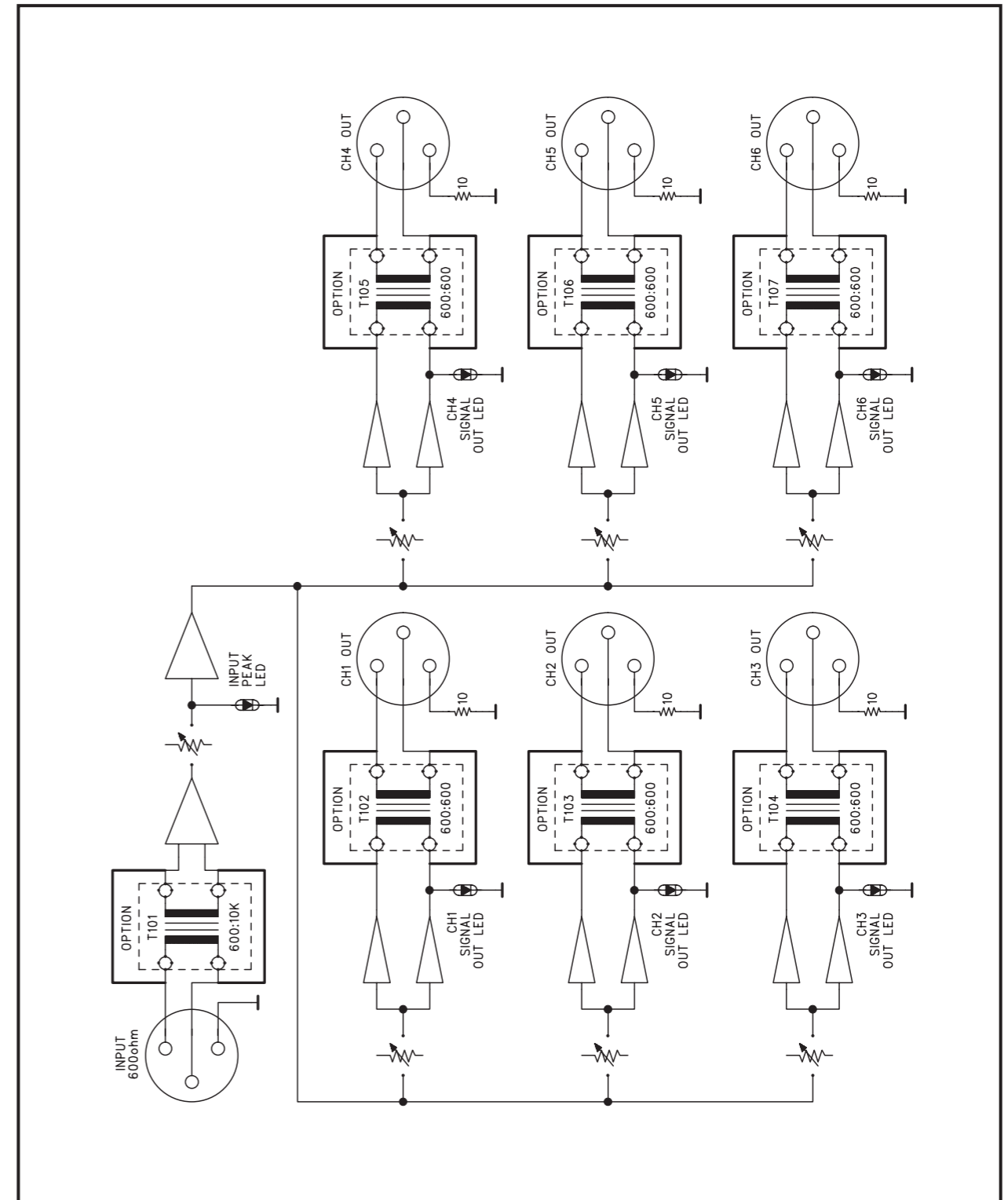


- 1 LINE INPUT
- 2 LINE OUTPUTS 1-6
- 3 AC POWER INPUT
- 4 DC POWER INPUT

## APPLICATIONS



## BLOCK DIAGRAM



## SPECIFICATIONS

	PO-6106
Channels	1 Input, 6 Outputs
Frequency Response	20Hz-20kHz ( $\pm 3$ dB)
T.H.D at 1kHz, Rated Output	Less than 0.1%
Input Sensitivity/Impedance	3V $\pm$ 0.5V Balanced
Output Level/Impedance	1V $\pm$ 0.2V Balanced
S/N	Better than -95dB
Operation Temperature	-10°C ~ +40°C / 14°F ~ 104°F
Power Source	100-120VAC or 220-240VAC; 50/60Hz, DC 24V (Supplied AC main transformer depends on country requirements)
Power Consumption	8W
Weight (SET)	4kg/8.8lb
Dimensions (SET)	482(W)x44(H)x280(D)mm/19(W)x1.7(H)x11(D)in



## DIMENSIONS

