

# USER MANUAL


**PO-6106**




**MAJORCOM:**

Manual to download in PDF format on [www.majorcom.fr](http://www.majorcom.fr)

## Welcome



**CAUTION**  
RISK OF ELECTRIC SHOCK  
DO NOT OPEN



CAUTION: TO REDUCE THE RISK OF ELECTRIC SHOCK,  
DO NOT REMOVE COVER (OR BACK).  
NO USER-SERVICEABLE PARTS INSIDE.  
REFER SERVICING TO QUALIFIED SERVICE PERSONNEL.

**WARNING**

To prevent fire or shock hazard, do not expose the unit to rain or moisture.


\*WARNING FOR YOUR PROTECTION PLEASE READ THE FOLLOWING-WATER AND MOISTURE: Unit should not be used near water(e.g. near a bathtub, washbowl, kitchen sink, laundry tub, in a wet basement, or near a swimming pool, etc). Care should be taken so than objects do not fall and liquids are not spilled into the enclosure through openings.  
\*Do not install this equipment in a confined space such as a book case or similar unit.  
\*This apparatus shall not be exposed to dripping or splashing and no objects filled with liquids, such vases, shall be placed on the apparatus.  
\*This apparatus shall be connected to a mains socket outlet with a protective earthing connection.  
\*It has need to be easy to disconnect the device. To disconnect the device from power, separate AC input cable from inlet or unplug the AC Cord.  
\*The socket-outlet shall be installed near the equipment and shall be easily accessible.

**CAUTION**


\*These servicing instructions are for use by qualified service personnel only. To reduce the risk of electric shock, do not perform any servicing other than that contained in the operating instructions unless you are qualified to do so.

**NOTE**

\*This equipment has been tested and found to comply with the limits for a Class A digital device, pursuant to Part 15 of the FCC Rules. These limits are designed to provide reasonable protection against harmful interference when the equipment is operated in a commercial environment. This equipment generates, uses, and can radiate radio frequency energy and, if not installed and used in accordance with the instruction manual, may cause harmful interference to radio communications. Operation of this equipment in a residential area is likely to cause harmful interference in which case the user will be required to correct the interference at his own expense.



This symbol is intended to alert the user to the presence of uninsulated "dangerous voltage" within the product's enclosure that may be of sufficient magnitude to constitute a risk of electric shock to persons.



This symbol is intended to alert the user to the presence of important operation and maintenance (servicing) instructions in the literature accompanying the appliance.

Caution: To prevent electric shock do not use this (polarized) plug with an extension cord, receptacle or other outlet unless the blades can be fully inserted to prevent blade exposure.

Attentions: Pour prévenir les chocs électriques ne pas utiliser cette fiche polarisée avec un prolongateur, une prise de courant on une autre sortie de courant, sauf si les lames peuvent être insérées à fond sans en laisser aucune partie à découvert.

## Contents

Unpacking .....	2
<b>Installation</b>	
Environment.....	2
Important Safety Instructions.....	2
<b>Features</b> .....	3
<b>Operation</b> .....	3
<b>Front Panel</b> .....	4
<b>Rear Panel</b> .....	5
<b>Applications</b> .....	6
<b>Block Diagram</b> .....	7
<b>Specifications</b> .....	8
<b>Service</b> .....	10
Procedures.....	10
Schematic.....	10
Parts List .....	10
<b>Variations and Options</b> .....	10
<b>Warranty</b> .....	10

## Unpacking

Although your PO-6106 is neither complicated nor difficult to operate, we recommend you take a few minutes to read this brief manual and familiarize yourself with the important information regarding product features, setup and operation.

As with most electronic devices, we strongly recommend you retain the original packaging. In the unlikely event the product must be returned for servicing, the original packaging (or reasonable equivalent) is required.

## Installation

### Environment

Never place this product in an environment which could alter its performance or reduce its service life. Such environments usually include high levels of heat, dust, moisture, and vibration.

## IMPORTANT SAFETY INSTRUCTIONS

1. Read these instructions.
2. Keep these instructions.
3. Heed all warnings.
4. Follow all instructions.
5. Do not use this apparatus near water.
6. Clean only with dry cloth.
7. Do not block any ventilation openings. Install in accordance with the manufacturer's instructions.
8. Do not install near any heat sources such as radiators, heat registers, stoves, or other apparatus (including amplifiers) that produce heat.
9. Do not defeat the safety purpose of the polarized or grounding-type plug. A polarized plug has two blades with one wider than the other. A grounding type plug has two blades and a third grounding prong. The wide blade or the third prong are provided for your safety. If the provided plug does not fit into your outlet, consult an electrician for replacement of the obsolete outlet.
10. Protect the power cord from being walked on or pinched particularly at plugs, convenience receptacles, and the point where they exit from the apparatus.
11. Only use attachments/accessories specified by the manufacturer.
12. Use only with the cart, stand, tripod, bracket, or table specified by the manufacturer, or sold with the apparatus. When a cart is used, use caution when moving the cart/apparatus combination to avoid injury from tip-over.
13. Unplug this apparatus during lightning storms or when unused for long periods of time.
14. Refer all servicing to qualified service personnel. Servicing is required when the apparatus has been damaged in any way, such as power-supply cord or plug is damaged, liquid has been spilled or objects have fallen into the apparatus, the apparatus has been exposed to rain or moisture, does not operate normally, or has been dropped.



## Features

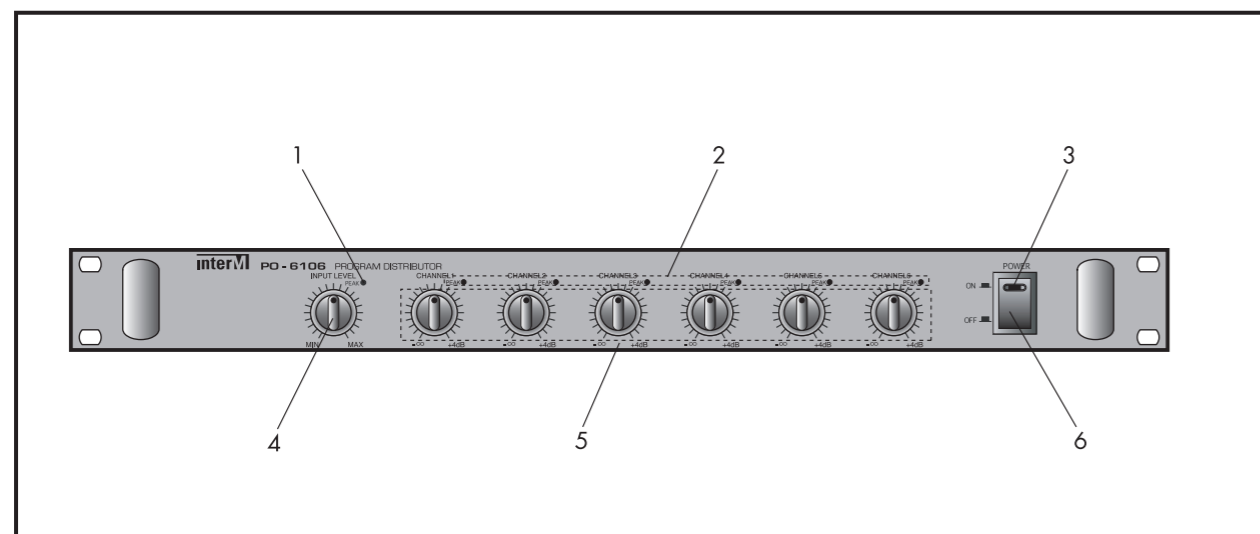
- **EASY TO OPERATE**  
Distributes a single channel input to six outputs.
- **EASY LEVEL ADJUSTMENT**  
Front-panel input and output level adjustment.
- **INPUT MONITORING**  
Input peak LED monitoring.

## Operation

1. Make certain that speakers and input sources are properly connected before turns on.
2. Keep volume levels turned down before switching on.

※NOTE : The system's operation is delayed by approximately three seconds after pressing the power switch. This is due to the built-in protection circuitry, designed to protect the speakers and other system components.

## Front Panel



### 1. INPUT PEAK INDICATOR

This LED lights to indicate the input level is too high.

### 2. OUTPUT INDICATORS

These LEDs indicate signal on their associated outputs.

### 3. POWER INDICATOR

When the unit is on, this power indicator LED is lit.

### 4. INPUT LEVEL CONTROL

This knob provides continuous control of the input level.

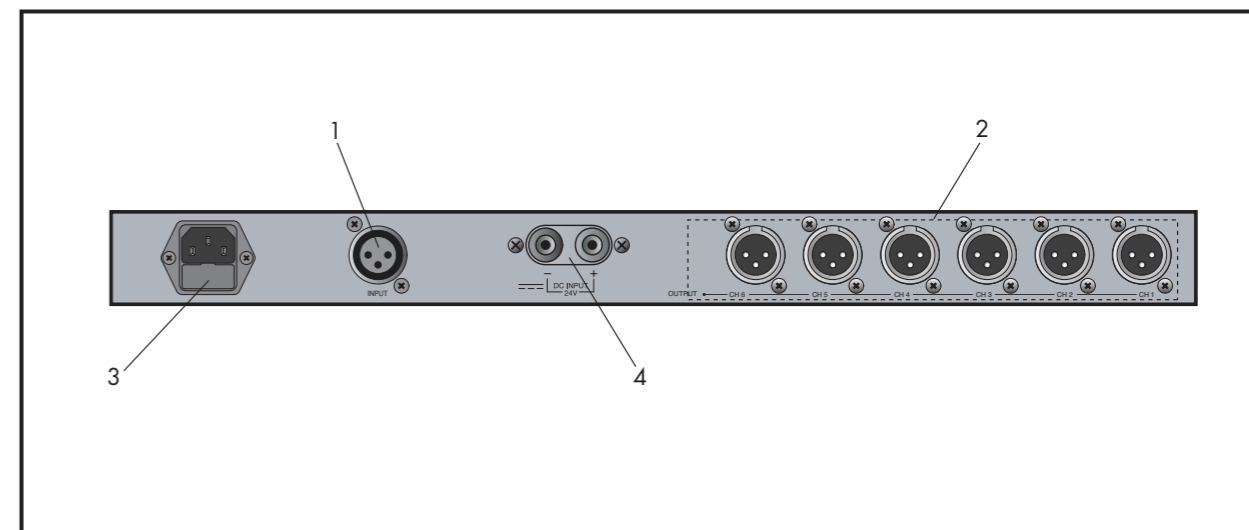
### 5. OUTPUT LEVEL CONTROL

This knob provides continuous control of the output level for each of the six outputs.

### 6. POWER SWITCH

This switch is used to turn the unit ON/OFF.

## Rear Panel



### 1. LINE INPUT

Line-level input on balanced XLR connector.

### 2. LINE OUTPUTS 1-6

Line-level outputs on balanced XLR connector.

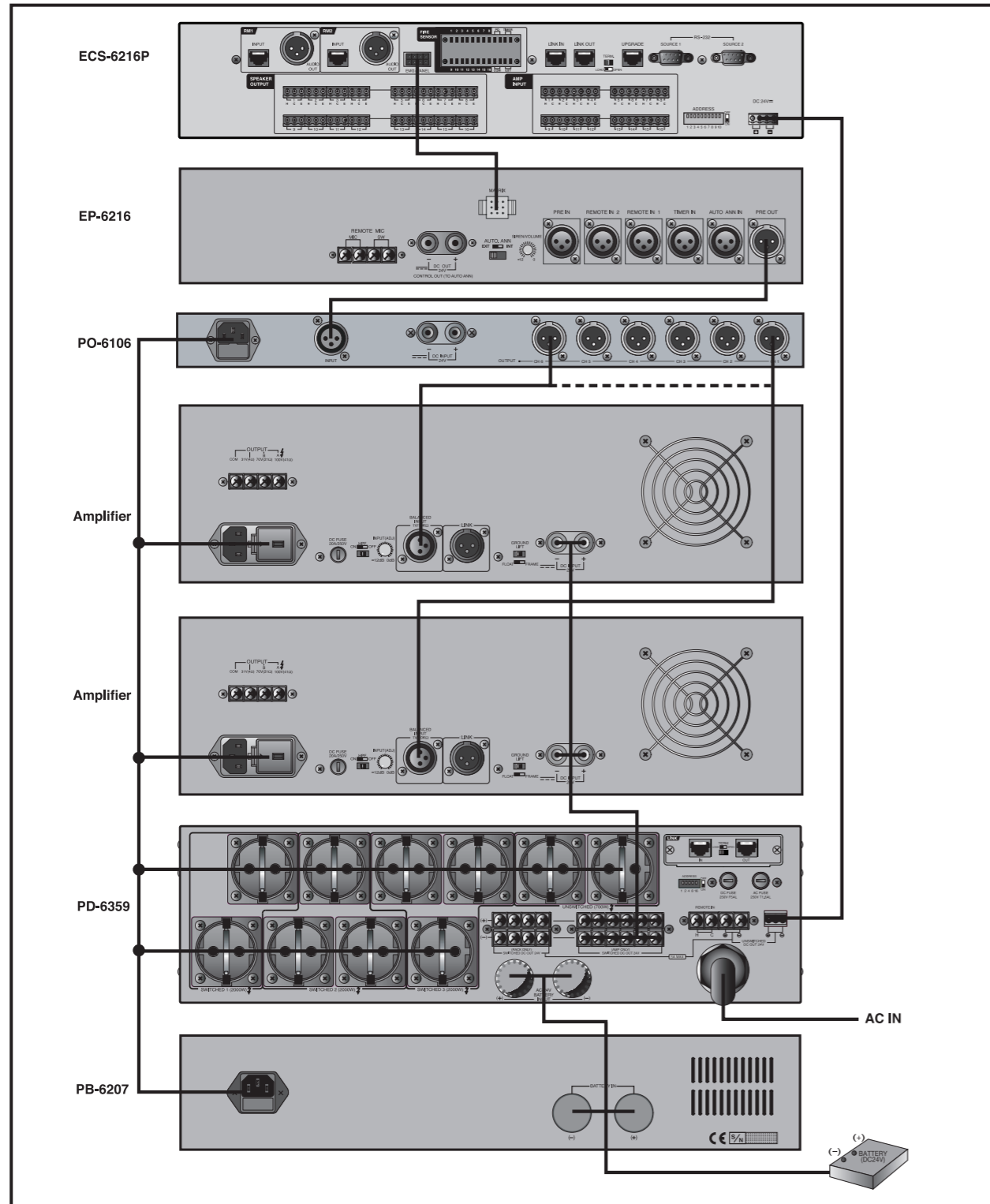
### 3. AC POWER INPUT

Connect a standard three-pin AC cable to this connector.

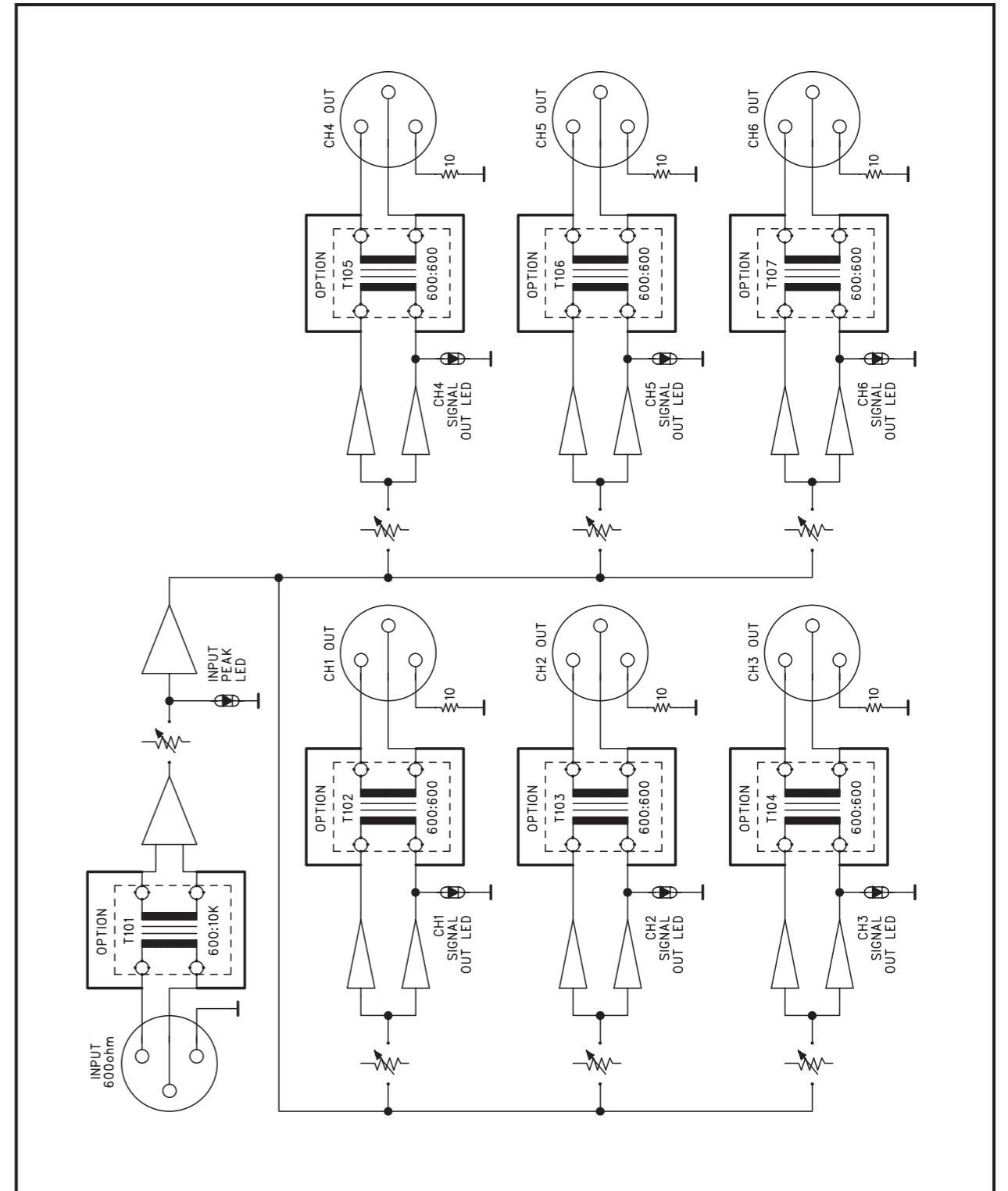
### 4. DC POWER INPUT

These terminals are provided for the connection of DC battery power. Connect a 24V DC battery source to these terminals. Make certain the red terminal is connected to the battery's positive (+) side, and the black terminal to the battery's negative (-) side.

# Applications



# Block Diagram

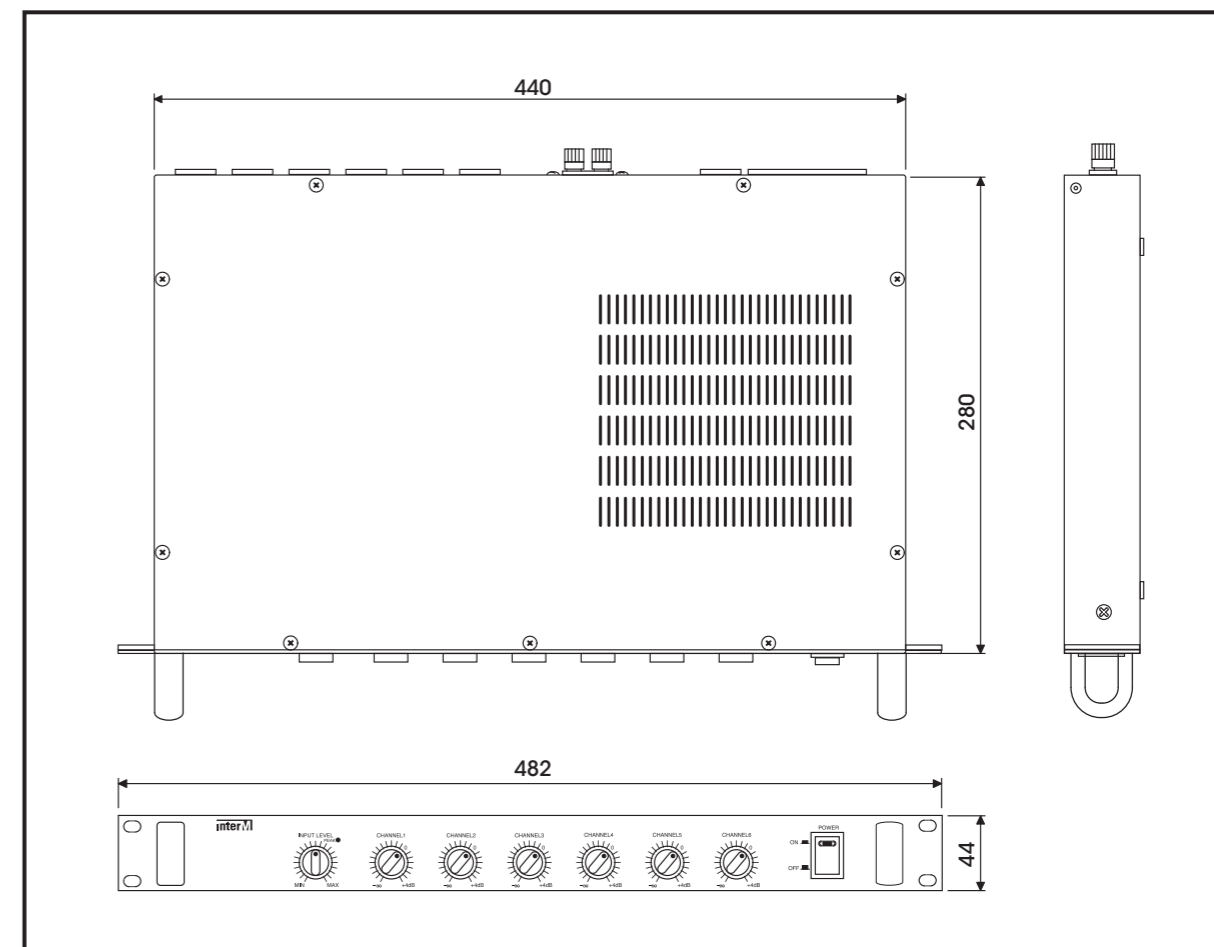


## Specifications

	PO-6106
Channels	1 Input, 6 Outputs
Frequency Response	20Hz-20kHz ( $\pm 3$ dB)
THD at 1kHz, Rated Output	Less than 0.1%
Input Sensitivity	1V $\pm 0.2$ V Balanced
Output Level	3V $\pm 0.5$ V Balanced
S/N	Better than 70dB
Residual Noise	Less than -95dB
Operating Temperature	-10°C ~ +40°C / 14°F ~ 104°F
Power Source	100-120VAC or 220-240VAC; 50/60Hz, DC 24V (Supplied AC main transformer depends on country requirements)
Power Consumption	8W
Weight (SET)	4kg/8.8lb
Dimensions (SET)	482(W)x44(H)x280(D)mm/19(W)x1.7(H)x11(D)in

\* Design and specification are subject to be changed for the improvement of product quality without pre notice.

## ※ DIMENSIONS



## Service

### Procedures

Take steps to insure the problem is not related to operator error or other products within the system. Information provided in the troubleshooting portion of this manual may help with this process. Once it is certain that the problem is related to the product contact your warranty provider as described in the warranty section of this manual.

### Schematic

A Schematic is available by contacting your warranty provider.

### Parts List

A Parts List is available by contacting your warranty provider.

## Variations and Options

### Variations

Variations of this product exist to reflect the variations in AC power requirements throughout the world. Product supplied through local sources are compatible with local AC power requirements.

### Options

No optional items are available for this product.

## Warranty

Warranty terms and conditions vary by country and may not be the same for all products. Terms and conditions of warranty for a given product may be determined first by locating the appropriate country which the product was purchased in, then by locating the product type.

To obtain specific warranty information and available service locations contact Majorcom.

## PO-6106 User manual V1.1