

OPERATING MANUAL

R E M O T E

MICROPHONE

RM-01

interM

SAFETY INSTRUCTION

In order to correct operation this unit, keep away this microphone from following places.

- Avoid placing it in direct sunlight or close to a source of heat, such as heater, stoves or other appliance that produce heat.
- Also avoid location subject to vibration and excessive dust.
- Keep away from magnetized appliance.
- This microphone should be situated so that its location or position does not interfere with its proper ventilation.
- This unit should be situated away from solvents or alcohol or other material that can make fire.
- This microphone should be cleaned with dried soft cloth.

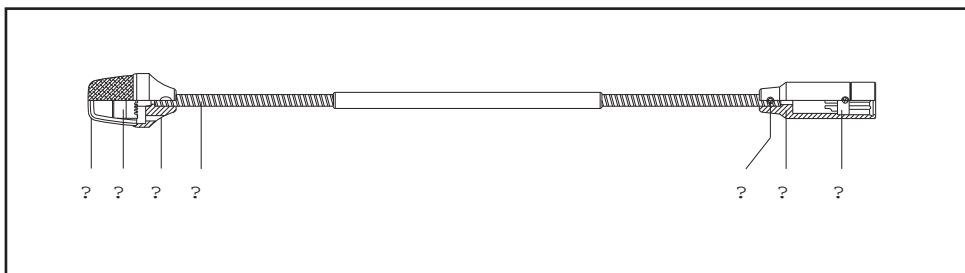
FEATURES

- This microphone built in unit which range is from 60Hz to 18,000Hz.
- Zn diecasting stand can decrease touch noise.
- This microphone can broadcasting with using remote chime, or remote talk switch.

CONNECTION FOR REMOTE CHIME

- After opening the cover of the stand bottom, connect the Receiver or the Remote Chime for the system to the 2P terminal block.

NAME OF GOOSE NECK ASS'Y



1. WIND SCREEN

2. UNIT

This unit which range is from 60Hz to 16,000Hz can make sound.

3. UNIT BASE

This base settles unit, and made of aluminium ware to protect goose neck not to be lower.

4. GOOSE NECK

This goose neck can adjust the direct of unit without moving stand.

5. CONNECTOR HOLDER

This case is in order to connect stand to connector.

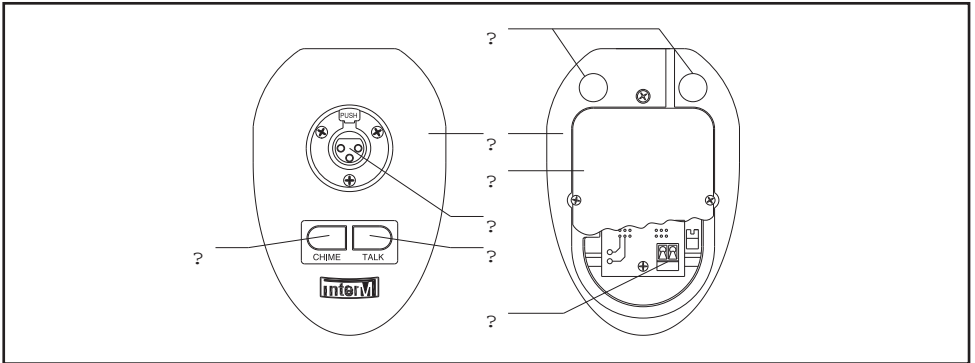
6. 3P CONNECTOR

XLR connector of stand.

7. WRENCH BOLT

This screw solidifies mounting between goose neck and connector holder.

NAME OF STAND ASS'Y



1. RUBBER FOOT

This rubber foot of stand avoid sliding on the glass or table.

2. STAND

This stand made of heavy Zn diecasting which can minimize touch noise.

3. STAND COVER

4. RECEPTACLE

Input signal through 3p connector of goose neck becomes sound at this part of stand ass'y.

5. TALK SWITCH

After press talk switch, the microphone does work and press again is off.

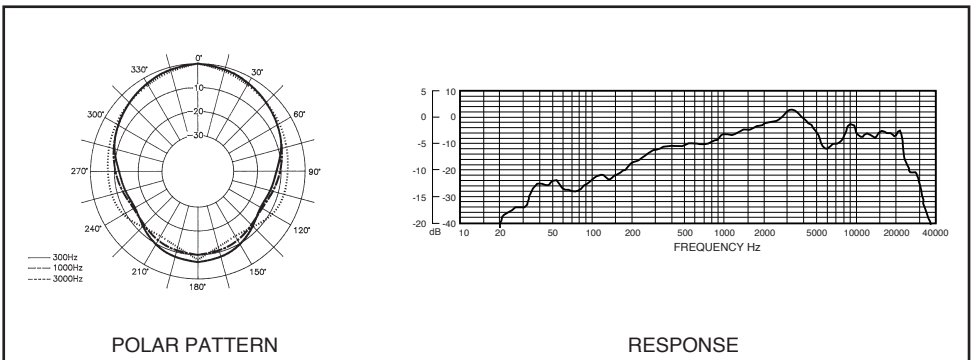
6. TERMINAL BLOCK

This block is connected with remote chime. For connecting remote chime, after open stand cover connect it with ? driver.

7. CHIME SWITCH

If the chime appliance is connected with the terminal block, can produce sound.

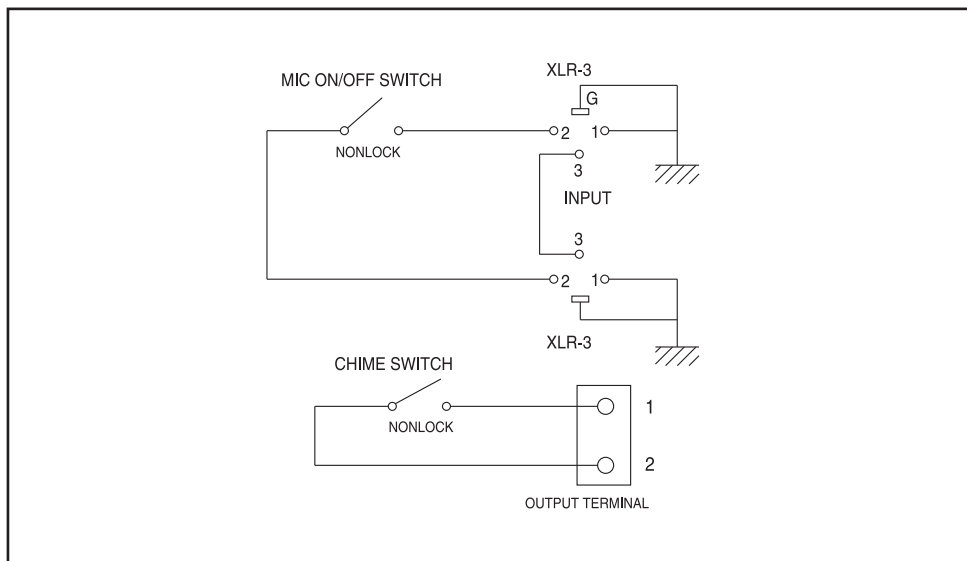
POLAR PATTERN & RESPONSE



POLAR PATTERN

RESPONSE

BLOCK DIAGRAM



SPECIFICATIONS

- POLAR PATTERN UNIDIRECTIONAL
- TYPE MOVING COIL DYNAMIC
- SENSITIVITY/IMPEDANCE -75, ± 3 dB(0dB=1V/Pa at 1KHz), 400 Ω
- FREQUENCY RANGE 60Hz~18KHz
- MAX. SPL FOR 0.5% THD 130dB(1KHz)
- WEIGHT 1.4Kg
- DIMENSIONS 90(W) ? 45(H) ? 133(D) mm

*Specifications and design subject to change without notice for improvements.



MADE IN KOREA
NO: 9007907210