

**USER  
MANUAL**

**TFL-2**

**END OF LINE DEVICE**



**MAJORCOM:**

Manual to download in PDF format on [www.majorcom.fr](http://www.majorcom.fr)

### 1. Description :

The end of line device allows the system to obtain greater precision in the supervision of loudspeaker lines. End of line devices improve the detection of problems in open-circuit loudspeaker lines, but they can not detect the place where the failure has occurred.



Illustration 1 : TFL-2

### 1.1 INPUTS :

#### 1.1.1 SPEAKER LINE INPUTS

The end of line device has, in one of its sides, a green connector to plug in the speaker line.

Mark	Description	Type	Signals	Activation
Green	Speaker line connection	Input	AB	Pilot tone 19KHz

Table 1: Speaker Line Input

Connection is made by an Euroblock type connector with 2 contacts and 5,08 mm width (this connector is given with the device). The cable section range for each pole of the connector is 0,5 → 2,5mm<sup>2</sup> (22 → 12 AWG).

#### 1.1.2 IMPEDANCE SELECTOR

The end of line device has a selector "400R / 200R", to determine the charge added to the speaker lines.

Mark	Descripción	Type	Signals	Activation
Switch	End of Line Device Charge	Selector		400R/200R (19kHz tone)

Table 2: Impedance selector

### 1.2 CONNECTION AND COMMISSIONING:

- 1 : Connect the end of speaker line cables to the end of line device inputs. The end of line device will be installed using the 400R configuration.
- 2 : Verify that the detected impedance by the equipment to do the line measure is within the estimated range. In the case that it is necessary change the switch position to modify the impedance value to 200R. This may happen in very long or low power lines (<10W).

NOTE: Do not connect the end of line device to the secondary side (output) of a volume controller. The secondary side of a volume controller may force the end of line device not to work properly.

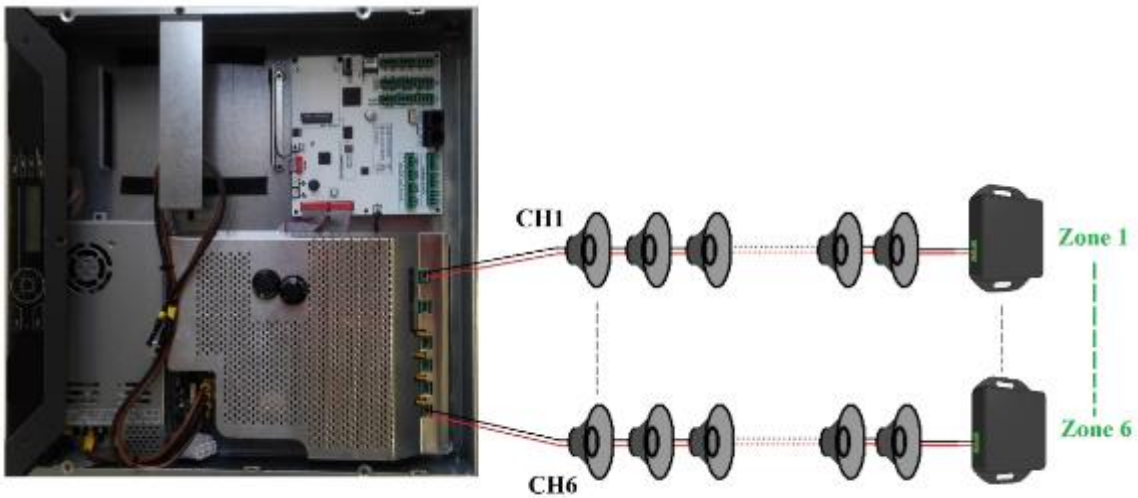


Illustration 2: End of Line Devices connection

## 2. TECHNICAL CHARACTERISTICS:

Reference	TFL-2
Selector	2 positions (400R / 200R).
Input	PA line input 100V, max consumption 15mA, 2 Pin Type Euroblock (green)
Ending	ABS, Black RAL9005
Weight	29 gr / 1oz
Dimensions (A x H x P)	66,3mm x 20mm x 50mm / 2,61in x 0,79in x 1,97in
Accessories	Euroblock type connector

View and size (mm)

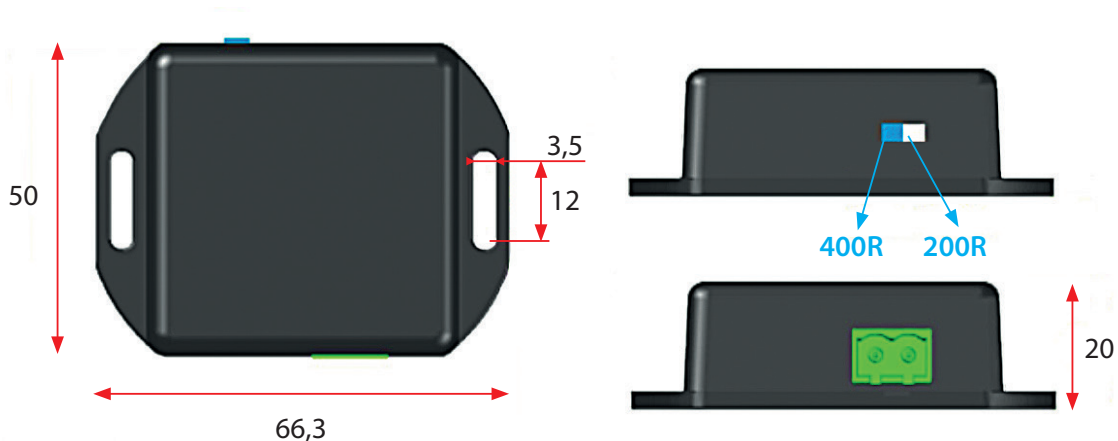


Illustration 3: View and dimensions of the end of line device in mm

User manual



# TFL-2

**END OF LINE DEVICE**

User manual