

P 515T VA

2-Way Ceiling Speaker

15 W

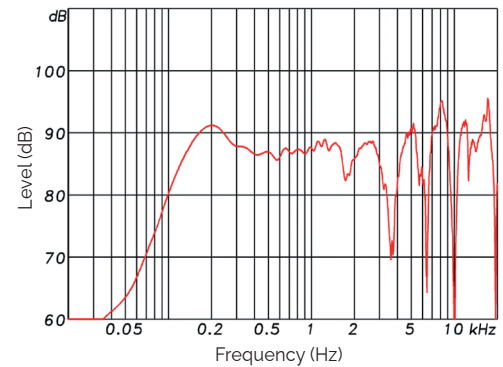
EN 54 24

- P 515T VA is a 2 way bass reflex ceiling speaker suitable for high quality installation.
- Fitted with a 5" speaker, a neodymium tweeter and a 100V transformer with 4 power taps, it offers a very high sound quality.
- Easy installation via screw mounting system.

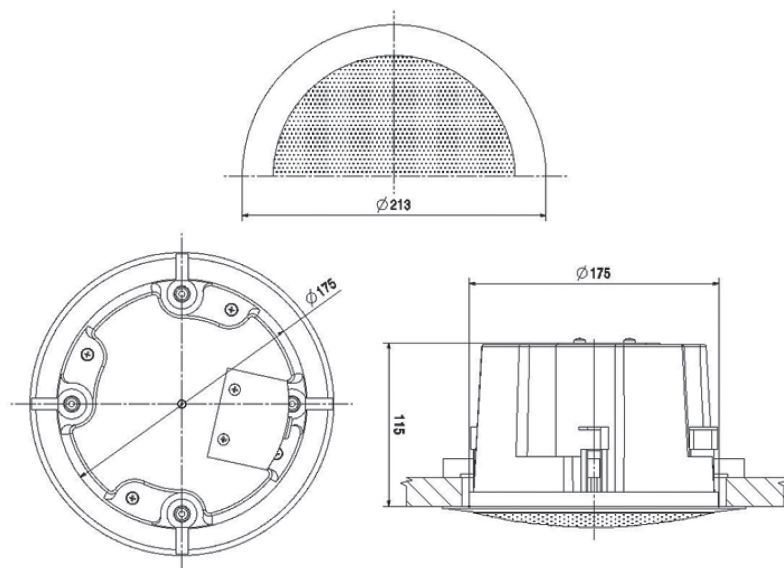
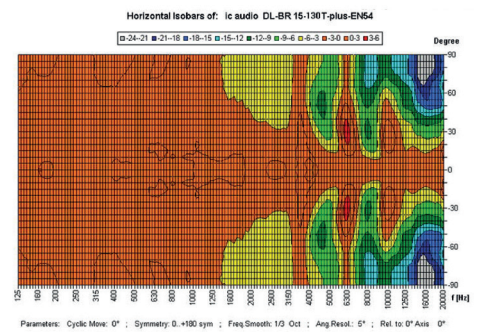
Model	P 515T VA
Body & grill	ABS
Nominal power	15W
Nominal Impedance	667Ω
Power 100V Line	15 / 7.5 / 3.75 / 1.9W
Impedance	667 / 1,333 / 2,667 / 5,263Ω
Bandwidth	100 - 22.800Hz
Sensitivity (1W/1m)	86,2dB
SPL MAX 1m	98dB
Directivity (H-V) @ 500Hz	180°
Directivity (H-V) @ 1kHz	180°
Directivity (H-V) @ 2kHz	145°
Directivity (H-V) @ 4kHz	95°
Speaker	5"
Dimensions (mm)	Ø 213 x P 152
Ceiling Cut-out	Ø 178mm
Weight	1,73kg
Operating temperature	-10°C ~+55°C
Protection Index	IP21C
Color	RAL 9016



Bandwidth



Polar diagrams



<p>n° 1438 22 Certificate n° : 1438-CPR-0856</p>	<p>EN 54-24 Speaker for voice alarm systems for systems for fire detection systems and fire alarm systems in buildings</p>
	<p>P 515T VA Type A</p>