

# P 630T VA

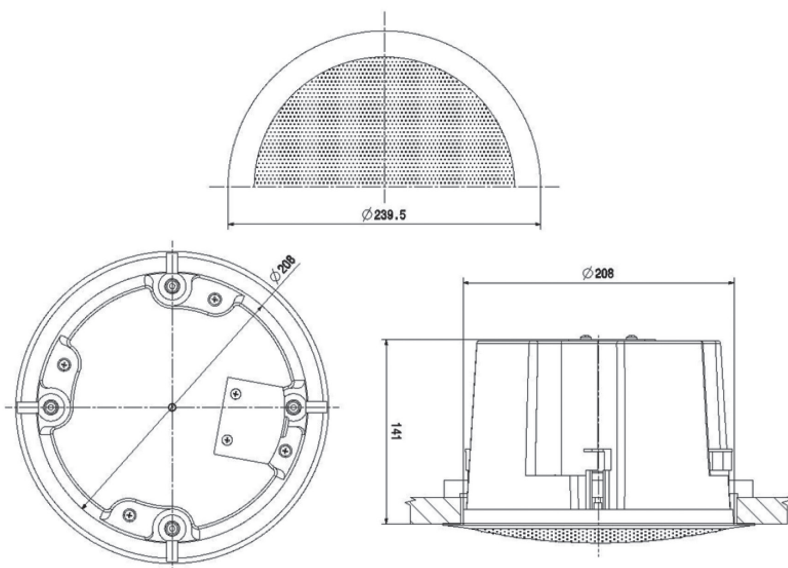
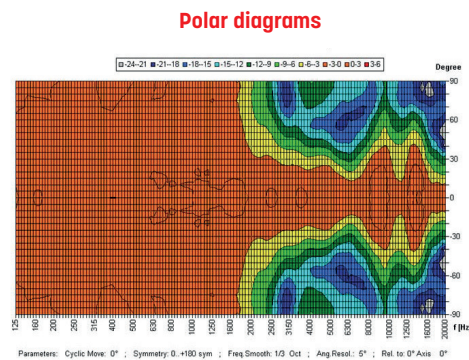
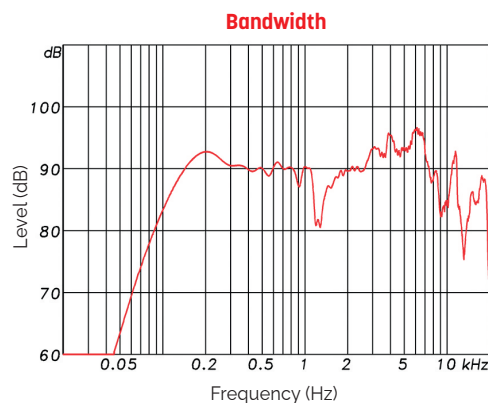
## 2-Way Ceiling Speaker

### 30 W

EN 54 24

- P 630T VA is a 2 way bass reflex ceiling speaker suitable for high quality installation.
- Fitted with a 6.5" speaker, a neodymium tweeter and a 100V transformer with 4 power taps, it offer a very high sound quality.
- Easy installation via screw mounting system.

Model	P 630T VA
Body & grill	ABS
Nominal power	30W
Nominal Impedance	333Ω
Power 100V Line	30 / 15 / 7.5 / 3.75W
Impedance	333 / 667 / 1.333 / 2.667Ω
Bandwidth	87 - 19 300Hz
Sensitivity (1W/1m)	89,8dB
SPL MAX 1m	110,2dB
Directivity (H-V) @ 500Hz	180°
Directivity (H-V) @ 1kHz	180°
Directivity (H-V) @ 2kHz	115°
Directivity (H-V) @ 4kHz	62°
Speaker	6.5"
Dimensions (mm)	Ø 239,5 x D 176,5
Ceiling Cut-out	Ø 210mm
Weight	2,27kg
Operating temperature	-10°C ~+55°C
Protection Index	IP21C
Color	RAL 9016



 n° 1438 22 Certificate n° : 1438-CPR-0856 <b>MAJORCOM:</b> 56 chemin de la Flambrère 31300 TOULOUSE FRANCE	<b>EN 54-24</b> Speaker for voice alarm systems for systems for fire-detection systems and fire alarm systems in buildings
	<b>P 630T VA</b>  <b>Type A</b>