

P 860T VA

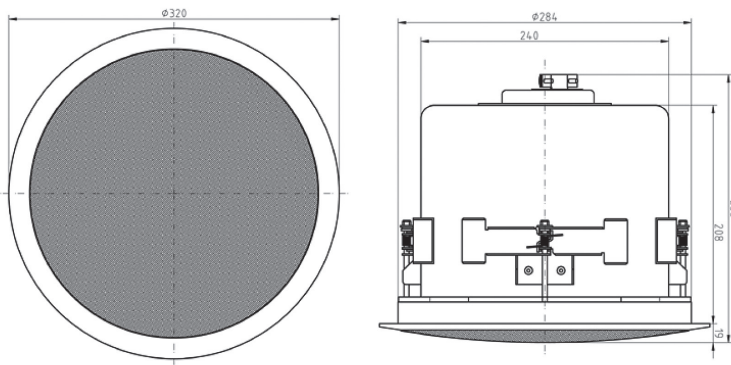
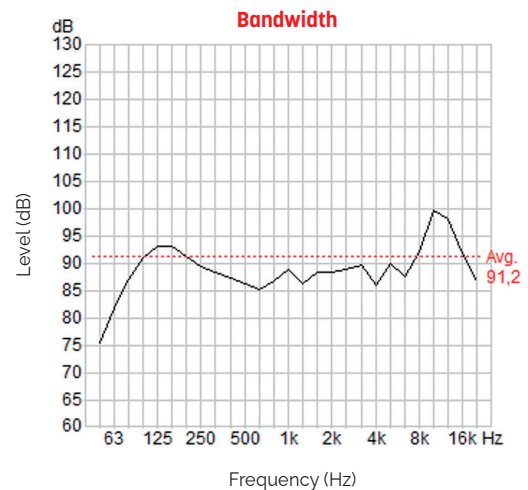
2-Way Ceiling Speaker

60 W

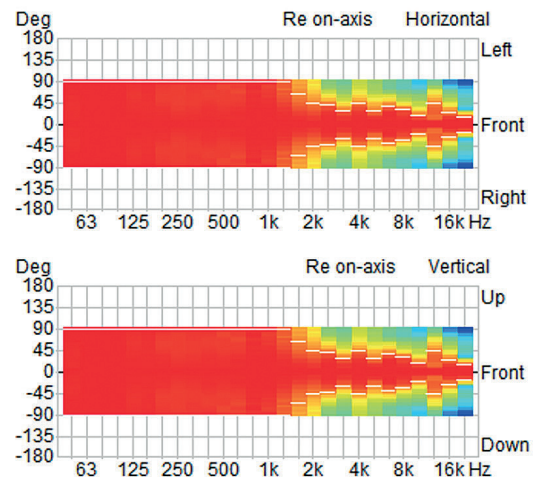
EN 54 24

- P 860T VA is a 2 way bass reflex ceiling speaker suitable for high quality installation.
- Fitted with a 8" speaker, a neodymium tweeter and a 100V transformer with 4 power taps, it offers a very high sound quality.
- Easy installation via screw mounting system..

Model	P 860T VA
Body & grill	Metal
Nominal power	60W
Nominal Impedance	167Ω
Power 100V Line	60 / 30 / 15 / 7,5W
Impedance	167 / 333 / 667 / 1,333Ω
Bandwidth	50 - 24,000Hz
Sensitivity (1W/1m)	91,2dB
SPL MAX 1m	110,7dB
Directivity (H-V) @ 500Hz	180°
Directivity (H-V) @ 1kHz	165°
Directivity (H-V) @ 2kHz	130°
Directivity (H-V) @ 4kHz	80°
Speaker	8"
Dimensions (mm)	∅ 319 x D 254
Ceiling Cut-out	∅ 302mm
Weight	4,7kg
Operating temperature	-10°C ~+55°C
Protection Index	IP21C
Color	RAL 9016



Polar diagrams



<p>n°1438 22 Certificate n°: 1438-CPR-0854</p>	<p>EN 54-24 Speaker for voice alarm systems for systems for fire detection systems and fire alarm systems in buildings</p>
	<p>P 860T VA Type A</p>

MAJORCOM:
56 chemin de la Flambrère
31300 TOULOUSE
FRANCE