

PHS-81T30BS

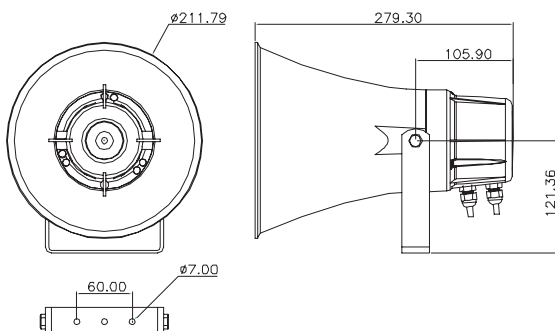
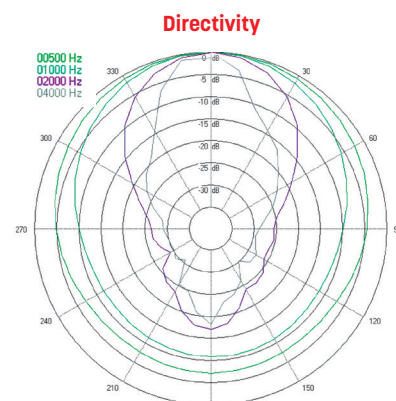
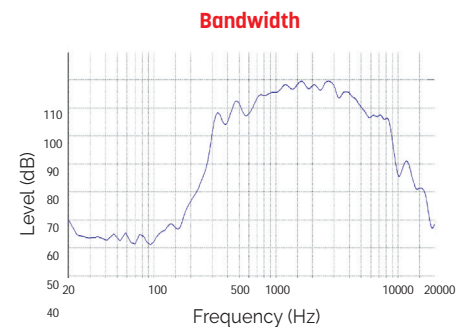
30W Horn Speaker


EN 54 24

- High performance enclosure
- High-quality vocal reproduction
- Protection from water and dust, IP66
- The high-performance horn speaker faithfully reproduces speech with excellent sound distribution and can be used in a wide range of outdoor applications. The perfect solution for sports fields, parks, factories and outdoor pools.
- The speaker is equipped with a ceramic terminal block, a thermal fuse and wires that can withstand high temperatures.
- Included is a U-shaped, stainless steel universal mount and screws (both AISI 316) for flexible installation.



Model	PHS-81T30BS
Body & grill	ABS fireproof
Nominal power	30W
Nominal Impedance	333Ω
Power 100V Line	30 / 15 / 7.5 / 3.75W
Impedance	333 / 666 / 1,333 / 2,667Ω
Bandwidth	340Hz - 9kHz
Sensitivity (1W/1m)	108dB
SPL MAX 1m	123dB
Directivity (H-V) @ 500Hz	200°
Directivity (H-V) @ 1kHz	120°
Directivity (H-V) @ 2kHz	60°
Directivity (H-V) @ 4kHz	30°
Dimensions [mm]	Ø212 x 280
Weight	2,05kg
Operating temperature	-25 to +70°C
Protection Index	IP66
Color	White



 n°ITC Certificate n° : 1488-CPD-0314/W	EN 54-24 Speaker for voice alarm systems for systems for fire detection systems and fire alarm systems in buildings.
	PHS-81T30BS Type B