

SPJ-52WHBS

2-way bi-directional sound projector - 20W

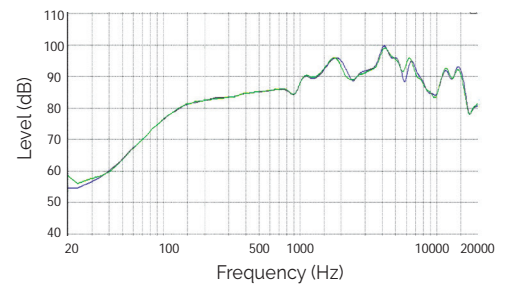
EN 54 24

- Excellent reproduction of voice and music
- Built-in connector and connection cables
- For installation on the ceiling or on the wall
- Protection from water and dust, IP66
- The SPJ-52WHBS is a powerful, 20-W bidirectional sound projector designed for the high-quality reproduction of voice and music.
- It can be used inside or outside. The two opposing speakers are perfect for applications such as metro stations, train stations, parking garages, and make it possible to cut the number of speakers in half.
- The SPJ-52WHBS is equipped with a ceramic terminal block, a thermal fuse and wires that can withstand high temperatures.

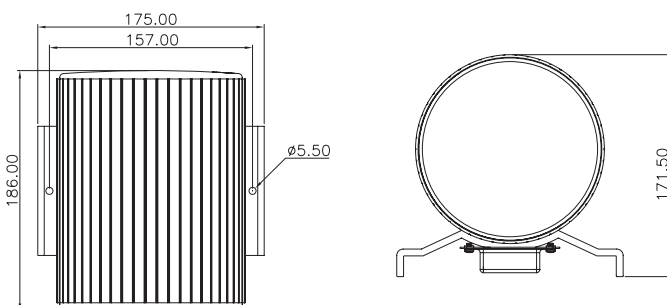
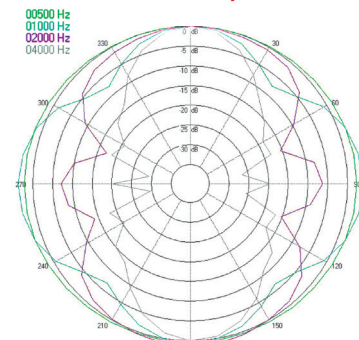



Model	SPJ-52WHBS
Body & grill	Aluminium
Nominal power	20W
Nominal Impedance	500Ω
Power 100V Line	20 / 10 / 5W
Impedance	500 / 1,000 / 2,000Ω
Bandwidth	120Hz - 20,000Hz
Sensitivity (1W/1m)	88dB
SPL MAX 1m	100dB
Directivity (H-V) @ 500Hz	360°
Directivity (H-V) @ 1kHz	320°
Directivity (H-V) @ 2kHz	200°
Directivity (H-V) @ 4kHz	80°
Speaker	2 x 5"
Cone	Paper composite
Dimensions	Ø 146 x 186mm
Weight	3.2kg
Operating temperature	-20 to +70°C
Protection Index	IP66

Bandwidth



Directivity



 <small>n° ITC</small> Certificate n° : 1488-CPD-0302/W	EN 54-24 <small>Speaker for voice alarm systems for systems for fire detection systems and fire alarm systems in buildings</small>
	SPJ-52WHBS
MAJORCOM: <small>56 chemin de la Flambrère 31300 TOULOUSE FRANCE</small>	Type B