

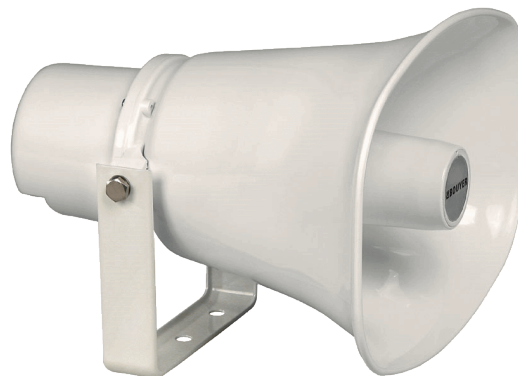
PS-630

Intercom substations for noisy environments

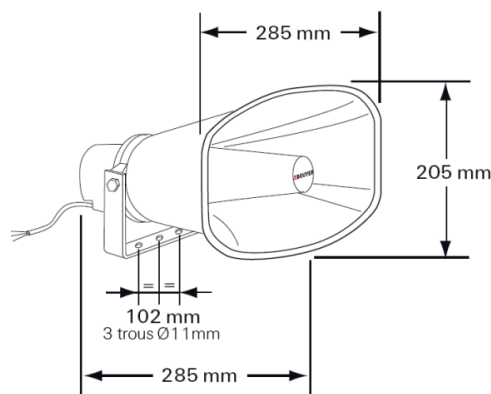


KEY POINTS

- Secondary stations suited to all environmental constraints
- Noisy areas
- Horn speaker
- Swivel bracket
- IP 54 protection index



- The PS-630 is a horn-loudspeaker-type intercom remote station.
- Its high performance ensures perfect speech reproduction over long distances and excellent sound distribution in noisy areas.
- Made out of ABS, it is weather and shock resistant and can therefore be used anywhere outside.
- Its fixing device makes easier its orientation and ensures quick and easy installation.



Model	PS-630
Master station power	15W
SPL	104/dBA/1W/1m
SPL max	116/dBA/10W/1m
Bandwidth	400Hz - 5kHz
Impedance	50-60 Ω
Directivity-6dB	Vertical : 50° Horizontal : 70°
Connection cable	1 screened pair
Dimensions	285 x 285 x 205 mm
Color	White RAL 9010
Material	Horn : ABS. Brackets : Aluminium.
Weight	1.8 kg
Particularity	Swivel bracket. For use with PS2601.

Specifications are subject to change without notice. 02/2024