

PS-901

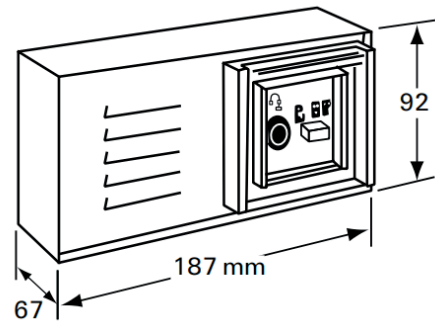
Intercom substation for use in noisy or isolated areas



KEY POINTS

- Secondary stations suited to all environmental constraints
- Works with PZ-10 headset

- The PS-901 is an intercommunication remote station designed for use in noisy environments and/or environments which are subject to humidity, dust or other adverse physical conditions.
- It can be used with a headset with microphone (PZ 10) for applications in extremely noisy environments.
- The casing is in stove-enamelled galvanized sheet metal.
- The front panel contains the "Call" push-button and a 6.35 mm jack for a headset of the PZ 10 type, both protected by a transparent sealing flap.



Specifications are subject to change without notice. 02/2024

Model	PS-901
Power	0,5 W
Dimensions	187 x 67 x 92 mm
Color	Grey and black
Material	Metal cabinet
Weight	0,7 kg