

# SPOT-2010T-EN5424


## Sound projector 20W

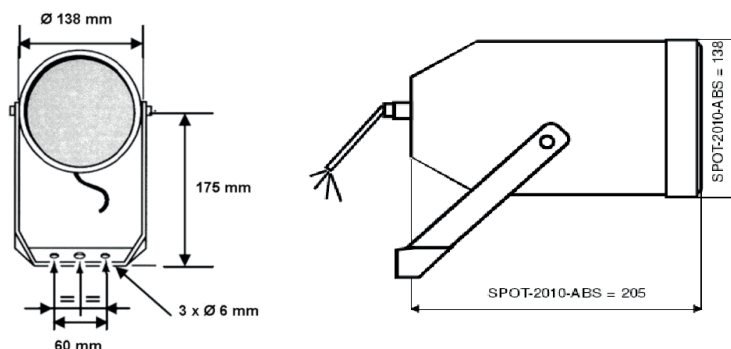
### KEY POINTS

- High intelligibility
- Protection index IP 55
- Inconspicuous & multipurpose
- Easy and quick installation
- EN54-24 certified
- The SPOT-2010T-EN5424 is a 20W sound projector fitted with a dual cone loudspeaker.
- Its fixing device facilitates its orientation and ensures an easy and quick installation : wall- or ceiling mounting.
- Made out of ABS, it is weatherproof, shock and corrosion resistant. Therefore, it can be installed in any type of environment

EN 54 24



 n°1293 17 Certificate n° : 1293-CPR-0568 BOUYER 1270, avenue de Toulouse 82000 MONTAUBAN FRANCE	<b>EN 54-24</b> Speaker for voice alarm systems for systems for fire detection systems and fire alarm systems in buildings
	<b>SPOT2010-EN5424</b>  <b>Type B</b>



Model	SPOT-2010T-EN5424
Nominal power	20 W
Power 100V Line	20 / 10 / 5 W
Frequency range	110 - 17 000 Hz
Impedance	20 W : 0.5 k $\Omega$ / 10 W : 1 k $\Omega$ / 5 W : 1.8 k $\Omega$
Sensitivity (1W/1m)	100 dB
SPL Max 1m	112 dB / 20W
Directivity (-6dB)	500 Hz : 180° 4 KHz : 75°
Speaker	$\varnothing$ 12,5 cm dual cone
Dimensions	$\varnothing$ 138 x 205 mm
Fixed centre distance	2 x 60 mm
Weight	1.6 kg
Material	ABS + Alu grid
Protection rating	IP55
Color	White
Connexion	Block terminals