

## VULCA VOICE

# CSC1-310-NF / 420-NF / 430-NF / 440-NF

## Compact all-in-one Voice Alarm System - 1 Alarm Zone

### KEY POINTS

- Compact all-in-one Voice Alarm System certified EN 54-16 and EN 54-4
- 1 Alarm Zone
- Integrated amplifiers : up to 400W
- Amplifier and loudspeaker line monitoring
- Up to 4 broadcasting zones
- Integrated emergency microphone
- Integrated power supply (PSE)
- Ready for installation
- Easy to use
- Digital player
- Messages scheduler
- Specifically designed for small and medium installations



EN 54 16

EN 54 4

Vulca Voice is a range of compact, all-in-one Voice Alarm systems certified to European standards EN 54-16 and EN 54-4, meeting the requirements of the NF-SSI mark for France. Under voice alarm conditions, its role is to broadcast a pre-recorded evacuation message, or a spoken message in order to prompt the rapid and disciplined alert of the occupants of the emergency zone.

## FEATURES

- The Vulca Voice range includes several different versions differentiated by the number of loudspeaker lines, the maximum power available per loudspeaker line and the total power available.
- Connected to a CIE (Control and Indicating Equipment), this system constitutes a single alarm zone. This alarm zone is divided into 1 to 4 loudspeaker lines.
- Memory support on SD card (or USB key) combined with the digital player makes it easy to personalize your messages and create different schedules.
- Set-up is simple, thanks to a small footprint (24 cm), full integration (amplifiers, power supply and back-up batteries) and suitable interfaces.
- Fireman Palm handheld microphone included.
- Digital matrix with priority management.
- Bells playlist included.
- Customizable playlist.
- 4 GPIs (logic inputs) - 4 GPOs (logic outputs).
- Integrated power supply (PSE) and batteries (batteries not included).
- gU wall enclosure.
- It's possible to use EN 54-24 compliant 100V loudspeakers subject to the addition of a capacitor (**ADAPTATEUR-VA**).
- Very easy to use, operation is carried out on the front panel HMI consisting of the LCD display, the 4 navigation keys as well as buttons and LEDs.

## APPLICATIONS

- Établissements scolaires
- Gares locales
- Parkings
- Salles omnisports
- Superettes
- Boutique
- Musées
- Cinémas

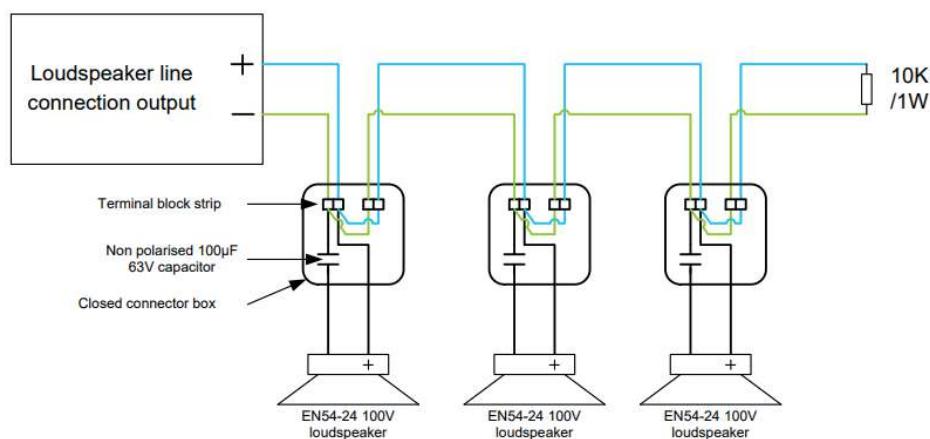
VULCA VOICE

**CSC1-310-NF / 420-NF / 430-NF / 440-NF**

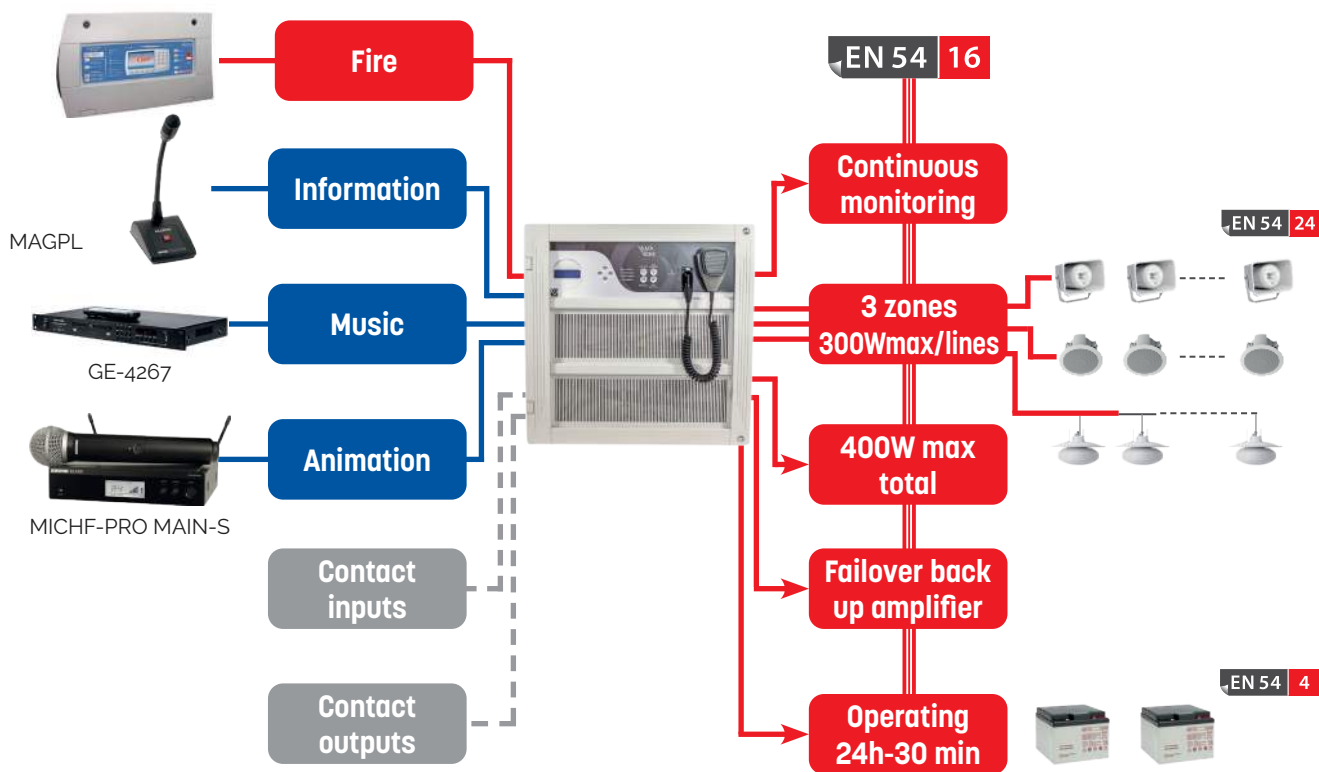
## Compact all-in-one Voice Alarm System - 1 Alarm Zone

It's possible to use other 100V loudspeakers that meet EN 54-24 subject to the following wiring instructions being followed :

- addition of a closed connector box
- addition of an interconnection strip
- addition of a non polarised 100µF 63V capacitor (**ADAPTATEUR-VA**)



### SYSTEM EXAMPLE



VULCA VOICE

**CSC1-310-NF / 420-NF / 430-NF / 440-NF**

**Compact all-in-one Voice Alarm System - 1 Alarm Zone**

**TECHNICAL CHARACTERISTICS**

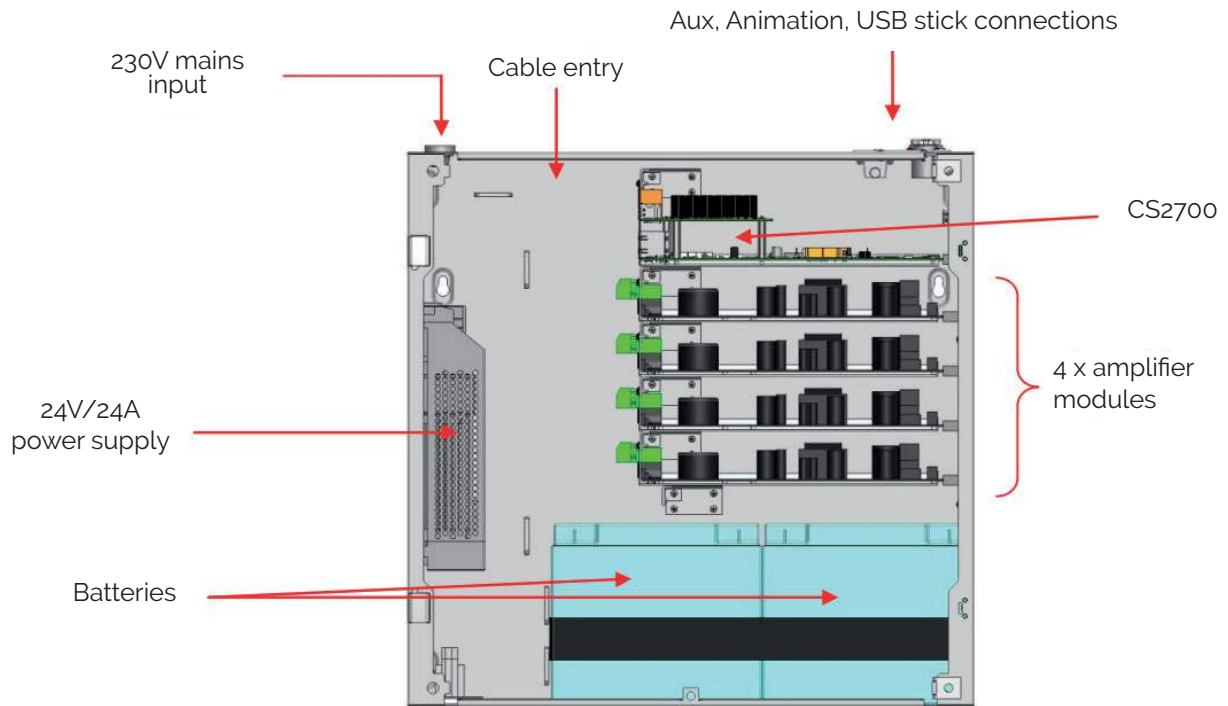
Model	CSC1-310-NF	CSC1-420-NF	CSC1-430-NF	CSC1-440-NF
Total power	300 W	400 W	400 W	400 W
Outputs / Nb. of speaker lines	1	2	3	4
Public Address console interface	Power supply : 24V DC – 550mA max @25°C			
Safety Console Interface	Power supply : 24V DC – 550mA max @25°C			
Interfaces	Ethernet IP / USB			
GPIs (General Purpose Inputs)	Number	4 (logic inputs)		
	Opto-isolated type	input current max. 10mA		
	Pulse duration	100ms minimum (in pulse mode)		
GPOs (General Purpose Outputs)	Number	4 (logic outputs)		
	Voltage/Current	24VDC/0.1A per GPO @25°C		
Frequency range	50 - 20 000 Hz			
Distortion	< 1%			
S/N ratio	> 70 dB			
Public Address inputs	4 (AUX, Animation, Telephone, Public Address Console input) + USB + SD card			
Aux Input	RCA connector x 2, stereo, sensitivity 0dbu, asymmetric signal			
Animation input	XLR-6.35 mm jack combo connector, mono, sensitivity 0dbu/-30dbu			
Telephone input	2-pin plug-in connector, mono, level 0dbu			
USB input	Yes			
Sensitivity	-30 dBm / 0 dBm			
Connectors	RCA x 2 / XLR - Jack combined connector / 2 pt terminal block / RJ 45 (Public Address Console Bus)			
PSE (Power Supply Equipment)	Fault information : dry contact, max. input current 10mA			
CIE (Control and Indicating Equipment)	Voltage triggering : from +15V to +58 V DC			
Emergency microphone	Type	dynamic, one direction (noise cancelling)		
	Sensitivity	-68dB/ $\mu$ bar (-48dB/Pascal)		
	Impedance	600 $\Omega$		
Primary power source	Mains voltage	from 195V to 264V		
	Mains frequency	from 47 to 63Hz		
	Primary current	4A @ 195V		
Secondary power source	2 accumulator batteries , sealed, lead acid, 12V, with capacity between 17Ah and 42Ah			
Dimensions (H x L x P)	520 x 530 x 240 mm			
Material	Metal			
Operating temperature	-5°C to +40 °C			
Enclosure IP rating	IP 30			
Color	Industrial grey – RAL 7035			
Weight	Without batteries : 20.5 kg With batteries : 38.5 kg (batteries are not included)			
Evacuation message	Duration	22s		
	Content	NFS32001 siren + message "Votre attention s'il vous plait, nous vous demandons de quitter les lieux par les sorties les plus proches. Votre attention s'il vous plait, nous vous demandons de quitter les lieux par les sorties les plus proches. Le signal d'évacuation va retentir. Attention, attention, because of a technical hitch in our building, we ask you to evacuate the premises. Please go to the emergency exit"		

VULCA VOICE


**CSC1-310-NF / 420-NF / 430-NF / 440-NF**

**Compact all-in-one Voice Alarm System - 1 Alarm Zone**

**INSIDE**



Specifications are subject to change without notice. 06/2024

 n° 0333 15 <b>0333-CPR-075536</b>	<b>EN 54-16</b> Voice alarm control and indicating equipment for fire detection and fire alarm systems for buildings.
	<b>VULCA VOICE</b>
BOUYER INDUSTRIE 1270, avenue de Toulouse 82000 MONTAUBAN FRANCE	<b>EN 54-4</b> Power supply equipment for fire detection and fire alarm systems for buildings.