

ZY-IP-SWFOM06RJ

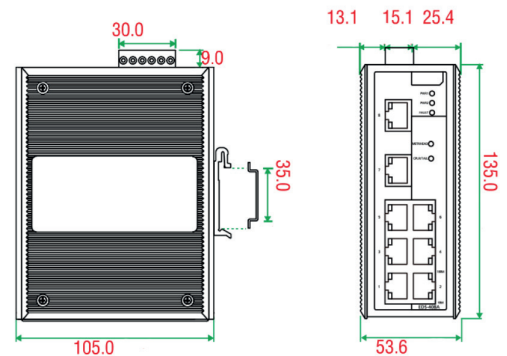
Monomode managed Ethernet switch with 6 RJ-45 ports and 2 optic fiber ports

KEY POINTS

- 8-port switch
- Copper and Optic Fiber ports
- DIN-rail mounting
- Redundant dual power supply
- IP 30



- The ZY-IP-SWFOM06RJ is an Ethernet switch made of 6 Copper ports (10/100BaseT(X)) and 2 Optic Fiber ports (100BaseFX (SC)).
- It supports a variety of management functions, such as Turbo Ring, port-based VLAN, QoS, bandwidth management and warning by email or relay
- The ready-to-use Turbo Ring can be set up easily using the web-based management interface, or with the DIP switches.
- Its design for industrial environments makes it adaptable to any application requiring high availability.
- The ZY-IP-SWFOM06RJ can operate from 0 to 60°C.



Model	ZY-IP-SWFOM06RJ
Interfaces	RJ45 x6 SC x2
Fiber transmission	0 dBm / -5 dBm
Fiber reception	- 34 dBm
Fiber length	40 km
Fiber saturation	- 3 dBm
Power supply	24 VDC (redundant dual inputs)
Dimensions	135 x 105 x 53,6 mm
Material	Metal
Weight	0,650 kg
IP Rating	IP 30
Installation	DIN-rail mounting

APPLICATIONS

• Public Address 

• Voice Alarm 