

XS 100T VA

Compact Power Speaker 25/50/100 W

FEATURES

EN 54 24

- The XS 100T VA is a compact power speaker, with waveguide technology. Whether sports venues, exhibition halls or stages, the XS 100T VA offers an exceptional sound experience with excellent speech intelligibility, certified according to EN54-24.
- Built in an impact-resistant ABS housing with an aluminium grille, the XS 100T VA is available in white. The 100W speaker is equipped with two 4" performance mid-bass woofers, a 2-way bass reflex system and a high-performance tweeter including a waveguide.
- A tweeter switch provides a 4dB boost for possible sound correction in near-wall and near-ceiling installations. The loudspeaker offers 4 different 100V power adjustments. Low-impedance operation is also possible.
- The loudspeaker is weatherproof with IP66 protection rating. A sturdy aluminium bracket ensures flexible mounting, indoors as well as outdoors.
- This loudspeaker is also available as a professional line array (XS 100T VA ARRAY).



MOUNTING INSTRUCTIONS

- 1.** Choose an appropriate mounting position on the wall or ceiling that meets your acoustic requirements. Place the tiltable metal bracket on the wall or ceiling using suitable mounting hardware. To secure it, use the 3 holes, each with a diameter of 13mm, and 2 holes, each with a diameter of 6.5mm, on the metal bracket. Screws are not included in the delivery. Only use screws that achieve sufficient stability in conjunction with the wall and ceiling material. Tighten the screws firmly but not excessively to avoid damage.
- 2.** Attach the speaker to the metal bracket using 2 screws M6x14, along with washers and lockwashers, utilizing the side cutouts of the metal bracket.
- 3.** Loosen the 4 screws of the rear terminal cover and remove the cover.
- 4.** Thread the speaker cable through the PG gland and connect the cable to the screw terminal. Ensure that the cable is securely and firmly in place to prevent contact issues.
- 5.** If necessary, make power adjustments on the back of the speaker using the rotary switches. In addition to the 100V adjustments, operation at 4 Ω impedance is also possible. Additionally, if needed, you can raise the HF frequency by 4dB using the slide switch.
- 6.** Place the previously removed terminal cover back onto the speaker and securely tighten the screws. Ensure that the cover is firmly in place without any gaps.
- 7.** To enhance safety, secure the provided steel cable and thread it through the free-threaded hole on the back of the speaker. Use the provided screw M6x14, a lock washer, and a washer to fasten the steel cable to the speaker. The other end of the steel cable should be attached to a stable and secure surface using suitable mounting hardware. Ensure that the steel cable is firmly and stably fixed. This additional step ensures a secure installation of the speaker and minimizes the risk of un-intended movement or falls.

© MAJORCOM 01/2024 V1

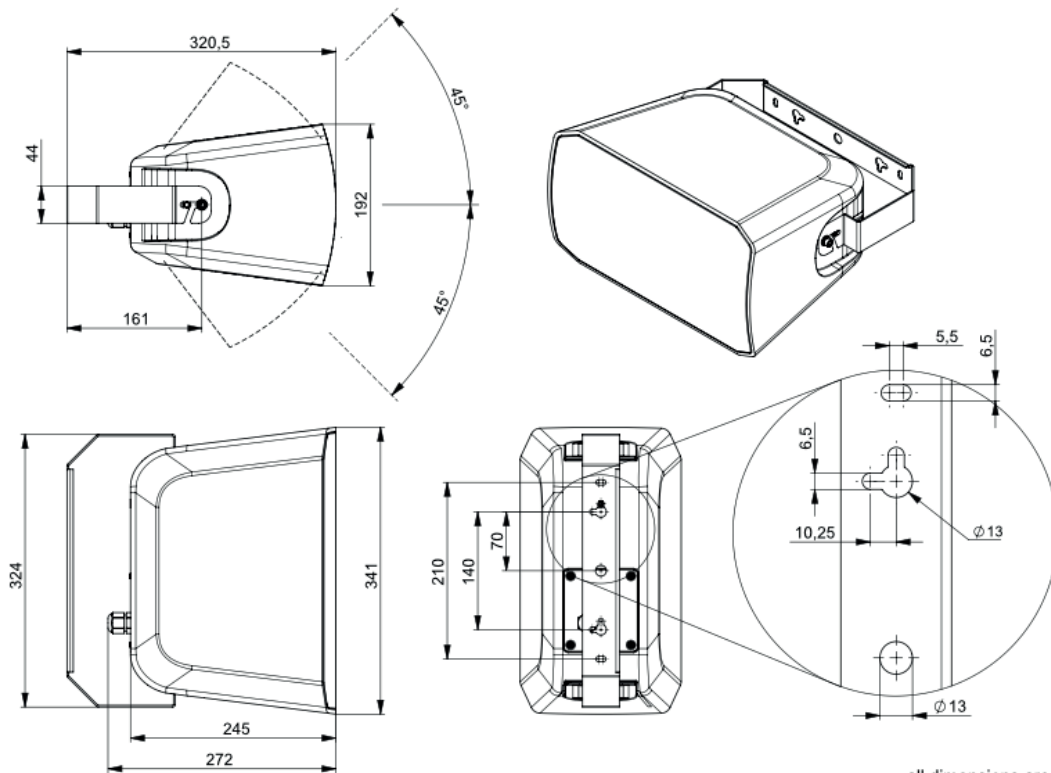
XS 100T VA

Compact Power Speaker 25/50/100 W

TECHNICAL CHARACTERISTICS


MODEL	XS 100T VA								
Power	Dimensions (LxWxH)	Bandwidth	Color	Sensitivity 1W/1m	SPL Pmax/4m	Directivity -6dB, 500Hz	Directivity -6dB, 1KHz	Directivity 2 kHz	Directivity 4 kHz
100/50/25 W	341 x 245 x 192 mm	49-22.000 Hz	White	86,3 dB	95,1 dB	H : 160° V : 230°	H : 65° V : 140°	H : 120° V : 100°	H : 145° V : 68°

TECHNICAL DIAGRAMS



all dimensions are in mm

© MAJORCOM 01/2024 V1

 n° 1438 22 Certificate n° : 1438-CPR-XXX	EN 54-24 Speaker for voice alarm systems for systems for fire detection systems and fire alarm systems in buildings
	XS 100T VA Type B